

ELECTROFUSION FITTINGS CATALOG



STRONGBRIDGE

WWW.STRONGBRIDGE.US



Table of Contents

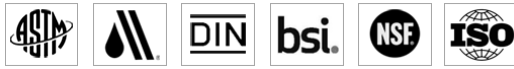
SDR 6 ELECTROFUSION COUPLER IPS	4
SDR 7 ELECTROFUSION COUPLER IPS	5
SDR 9 ELECTROFUSION COUPLER IPS	6
SDR 11 ELECTROFUSION COUPLER IPS	7
SDR 17 ELECTROFUSION COUPLER IPS	9
SDR 26 ELECTROFUSION COUPLER IPS	10
SDR 11 ELECTROFUSION COUPLER DIPS	12
SDR 17 ELECTROFUSION COUPLER DIPS	13
SDR 26 ELECTROFUSION COUPLER DIPS	14
SDR 11 ELECTROFUSION LONG COUPLER IPS	15
SDR 11 ELECTROFUSION TAPPING TEES	16
SDR 11 ELECTROFUSION SMALL BRANCH SADDLES	20
SDR 11 ELECTROFUSION LARGE BRANCH SADDLES	27
SDR 17 ELECTROFUSION LARGE BRANCH SADDLES	31
SDR 11 ELECTROFUSION BRASS THREADED SADDLES	37
SDR 11 ELECTROFUSION EQUAL TEES	38
SDR 11 ELECTROFUSION REDUCERS	39
SDR 11 ELECTROFUSION 45 DEGREE ELBOWS	40
SDR 11 ELECTROFUSION 90 DEGREE ELBOWS	41
EF FLEX RESTRAINT PE100	42
STANDARDS & CERTS REFERENCE CHART	43

SDR 6 COUPLERS IPS

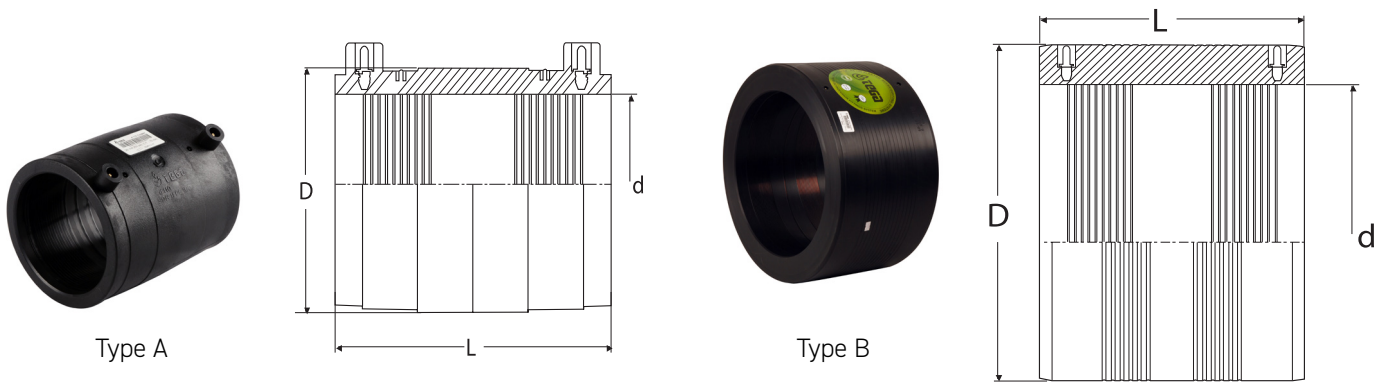
Fusibility Range - Pipe Series SDR 6 to SDR 7
 Water - 460 PSI at 73° F Sustainable Maximum Operating Pressure



- Suitable for Water, Fluids & Slurries
- Engineered for PE3408, PE4710 & PE100 HDPE Pipe Systems



Manufactured in accordance with: ASTM F714-22, ASTM F1055-22, ASTM D2513-20, ASTM D3035-22, ASTM D3261-16, ASTM D3350-21, AWWA C901-20, AWWA C906-15, DIN 16963, BS EN 1555, BS EN 12201, NSF/ANSI/CAN 61-2022, and ISO-9001 Certified



Nominal Size	Actual Size (d)	Norm	(D)	(L)	Weight (lbs.)	Type	Part Number
2"	2.38	IPS	3.8	6.65	0.45	A	02-EFC-2200190*
3"	3.5	IPS	5.6	6.57	1	A	02-EFC-2200191*
4"	4.5	IPS	7.87	7.28	3	A	02-EFC-2200192*
6"	6.63	IPS	10.23	7.56	5.7	A	02-EFC-2200193*
8"	8.63	IPS	13.38	7.87	10.2	B	02-EFC-2200194*
10"	10.75	IPS	16.5	8.66	16.9	B	02-EFC-2200160*
12"	12.75	IPS	19.29	9.06	23.4	B	02-EFC-2200195*
14"	14.00	IPS	21.65	10	33.6	B	02-EFC-2200161*
16"	16.00	IPS	24.4	11.81	49.6	B	02-EFC-2200196* †
18"	18.00	IPS	27.55	12.6	67.6	B	02-EFC-2200162* †
28"	28.00	IPS	43.31	17.52	515.88	B	02-EFC-2200404* †

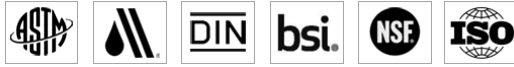
† Dual fusion zones

SDR 7 COUPLERS IPS

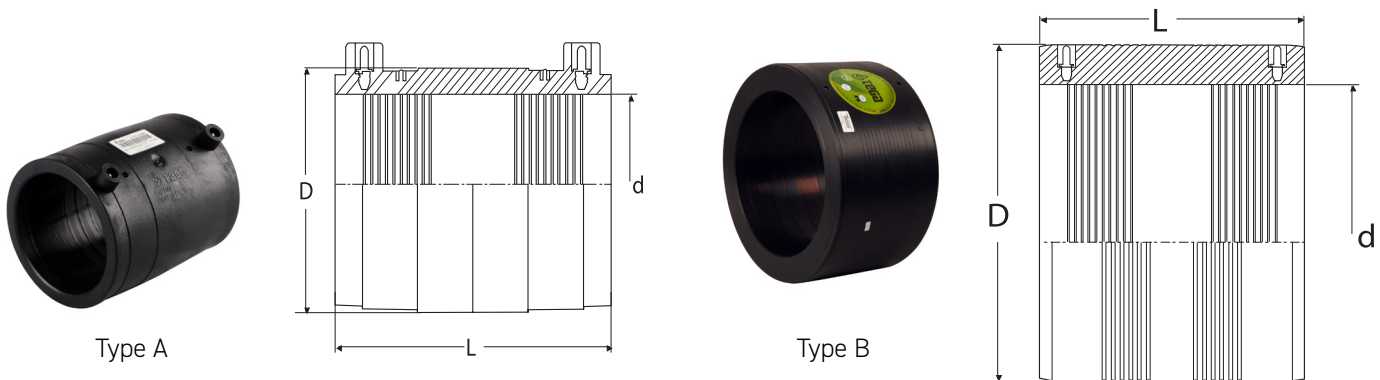
Fusibility Range - Pipe Series SDR 6 to SDR 9
 Water - 350 - 360 PSI at 73° F Sustainable Maximum Operating Pressure



- Suitable for Water, Fluids & Slurries
- Engineered for PE3408, PE4710 & PE100 HDPE Pipe Systems



Manufactured in accordance with: ASTM F714-22, ASTM F1055-22, ASTM D2513-20, ASTM D3035-22, ASTM D3261-16, ASTM D3350-21, AWWA C901-20, AWWA C906-15, DIN 16963, BS EN 1555, BS EN 12201, NSF/ANSI/CAN 61-2022, and ISO-9001 Certified



Nominal Size	Actual Size (d)	Norm	(D)	(L)	Weight (lbs.)	Type	Part Number
2"	2.38	IPS	3.82	4.65	1.13	A	02-EFC-2200149
3"	3.50	IPS	5.59	6.57	3.40	A	02-EFC-2200150
4"	4.50	IPS	6.26	6.77	3.49	A	02-EFC-2200151
6"	6.63	IPS	9.45	7.48	9.24	A	02-EFC-2200152
8"	8.63	IPS	12.20	7.87	15.98	B	02-EFC-2200153
10"	10.75	IPS	15.35	8.66	28.34	B	02-EFC-2200154
12"	12.75	IPS	17.32	9.06	33.90	B	02-EFC-2200156 ^^
14"	14.00	IPS	19.29	10.04	48.15	B	02-EFC-2200155 ^^
16"	16.00	IPS	21.77	11.81	70.10	B	02-EFC-2200157 ^^ †
18"	18.00	IPS	24.41	12.60	93.23	B	02-EFC-2200158 ^ †
20"	20.00	IPS	27.17	14.37	132.22	B	02-EFC-2200159 ^^ †
22"	22.00	IPS	30.17	15.75	196.8	B	02-EFC-2200209 †
24"	23.98	IPS	33.85	16.14	221.40	B	02-EFC-2200170 †
26"	26.00	IPS	36.81	16.54	302.70	B	02-EFC-2200294 †
32"	32.00	IPS	45.08	18.50	503.10	B	02-EFC-2200407 †
36"	36.00	IPS	50.79	19.69	681.23	B	02-EFC-2200408 †

† Dual fusion zones | ^ 350 PSI (water) | ^^ 360 PSI (water)

SDR 9 COUPLERS IPS

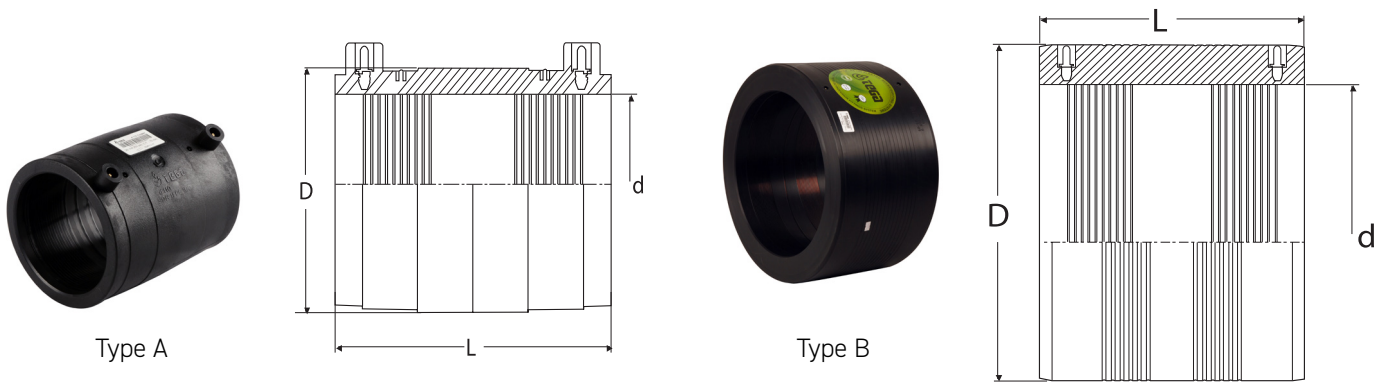
Fusibility Range - Pipe Series SDR 9 to SDR 11
 Water - 300 PSI at 73° F Sustainable Maximum Operating Pressure



- Suitable for Water, Fluids & Slurries
- Engineered for PE3408, PE4710 & PE100 HDPE Pipe Systems



Manufactured in accordance with: ASTM F714-22, ASTM F1055-22, ASTM D2513-20, ASTM D3035-22, ASTM D3261-16, ASTM D3350-21, AWWA C901-20, AWWA C906-15, DIN 16963, BS EN 1555, BS EN 12201, NSF/ANSI/CAN 61-2022, and ISO-9001 Certified



Nominal Size	Actual Size (d)	Norm	(D)	(L)	Weight (lbs.)	Type	Part Number
2"	2.38	IPS	3.82	4.65	1.13	A	02-EFC-2200197 *
3"	3.50	IPS	5.59	6.57	3.40	A	02-EFC-2200198 *
4"	4.50	IPS	6.26	6.69	3.45	A	02-EFC-2200141 *
6"	6.63	IPS	9.06	7.48	7.76	A	02-EFC-2200200 *
8"	8.63	IPS	12.01	7.87	14.96	B	02-EFC-2200143 *
10"	10.75	IPS	14.57	8.66	22.79	B	02-EFC-2200144 *
12"	12.75	IPS	16.73	9.06	28.94	B	02-EFC-2200202 *
14"	14.00	IPS	18.31	10.04	38.03	B	02-EFC-2200145 *
16"	16.00	IPS	20.87	11.81	57.69	B	02-EFC-2200146 * †
18"	18.00	IPS	23.62	12.60	80.26	B	02-EFC-2200203 * †
20"	20.00	IPS	25.98	14.37	107.66	B	02-EFC-2200204 * †
22"	22.00	IPS	29.13	15.75	156.4	B	02-EFC-2200205 * †
24"	24.00	IPS	32.68	16.54	221.4	B	02-EFC-2200206 * †
34"	34.00	IPS	44.49	18.50	410.72	B	02-EFC-2200405 * †
36"	36.00	IPS	46.65	19.68	467.38	B	02-EFC-2200406 * †

† Dual fusion zones



SDR 11 COUPLERS IPS

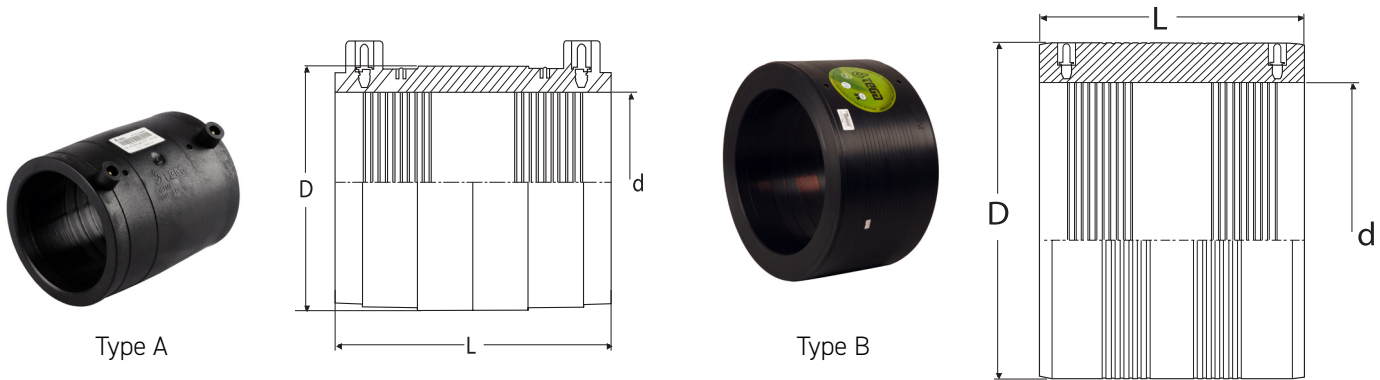
Fusibility Range - Pipe Series SDR 9 to SDR 17
 Water - 200 - 240 PSI at 73° F Sustainable Maximum Operating Pressure
 Gas - 125 PSI at 73° F Sustainable Maximum Operating Pressure



- Suitable for Water, Fluids & Slurries
- Engineered for PE3408, PE4710 & PE100 HDPE Pipe Systems



Manufactured in accordance with: ASTM F714-22, ASTM F1055-22, ASTM D2513-20, ASTM D3035-22, ASTM D3261-16, ASTM D3350-21, AWWA C901-20, AWWA C906-15, DIN 16963, BS EN 1555, BS EN 12201, NSF/ANSI/CAN 61-2022, and ISO-9001 Certified



Nominal Size	Actual Size (d)	Norm	(D)	(L)	Weight (lbs.)	Type	FM CL250	Part Number
3/4"	1.05	IPS	1.61	2.80	0.11	A	No	02-EFC-2200085
1"	1.32	IPS	1.89	3.23	0.16	A	No	02-EFC-2200087
1 - 1/4"	1.66	IPS	2.17	3.39	0.18	A	No	02-EFC-2200089
1 - 1/2"	1.90	IPS	2.64	3.86	0.35	A	No	02-EFC-2200090
2"	2.38	IPS	3.15	4.21	0.49	A	Yes	02-EFC-2200092
3"	3.50	IPS	4.53	5.91	0.89	A	Yes	02-EFC-2200094
4"	4.50	IPS	5.59	6.69	1.40	A	Yes	02-EFC-2200095
5"	5.56	IPS	7.09	6.73	3.53	A	Yes	02-EFC-2200103
6"	6.63	IPS	8.41	7.56	4.75	A	Yes	02-EFC-2200185
8"	8.63	IPS	10.75	7.87	9.25	A	Yes	02-EFC-2200073
10"	10.75	IPS	13.39	8.66	14.99	B	Yes	02-EFC-2200114 ^
12"	12.75	IPS	15.35	9.06	18.03	B	Yes	02-EFC-2200058
14"	14.00	IPS	17.32	10.00	28.34	B	Yes	02-EFC-2200119 ^^
16"	16.00	IPS	19.29	11.81	37.35	B	Yes	02-EFC-2200060 †
18"	18.00	IPS	21.57	12.60	48.52	B	Yes	02-EFC-2200062 ^^ †
20"	20.00	IPS	24.21	14.41	73.07	B	Yes	02-EFC-2200065 ^ †
22"	22.00	IPS	27.17	15.75	108.88	B	Yes	02-EFC-2200187 ^^ †
24"	24.00	IPS	29.72	15.75	131.86	B	Yes	02-EFC-2200133 †
26"	26.00	IPS	32.28	16.54	164.87	B	Yes	02-EFC-2200079* †
28"	28.00	IPS	34.65	17.52	198.58	B	Yes	02-EFC-2200188* ^^ †
30"	30.00	IPS	37.01	17.52	223.98	B	Yes	02-EFC-2200137* †
32"	32.00	IPS	38.98	18.50	249.45	B	Yes	02-EFC-2200068* †

† Dual fusion zones | ^ 240 PSI (water) | ^^ 200 PSI (water)



SDR 11 COUPLERS IPS

Fusibility Range - Pipe Series SDR 9 to SDR 17
 Water - 200 - 240 PSI at 73° F Sustainable Maximum Operating Pressure
 Gas - 125 PSI at 73° F Sustainable Maximum Operating Pressure

- Suitable for Water, Fluids & Slurries
- Engineered for PE3408, PE4710 & PE100 HDPE Pipe Systems



Manufactured in accordance with: ASTM F714-22, ASTM F1055-22, ASTM D2513-20, ASTM D3035-22, ASTM D3261-16, ASTM D3350-21, AWWA C901-20, AWWA C906-15, DIN 16963, BS EN 1555, BS EN 12201, NSF/ANSI/CAN 61-2022, and ISO-9001 Certified

Nominal Size	Actual Size (d)	Norm	(D)	(L)	Weight (lbs.)	Type	FM CL250	Part Number
34"	34.00	IPS	42.13	18.90	318.26	B	No	02-EFC-2200189 †
36"	36.00	IPS	44.09	19.69	347.46	B	No	02-EFC-2200139 †
40"	40.00	IPS	47.24	19.69	338.71	B	No	02-EFC-2200070 ^^ †
42"	42.00	IPS	51.18	19.69	456.00	B	No	02-EFC-2200140* †
48"	48.00	IPS	59.06	19.69	628.32	B	No	02-EFC-2200030

† Dual fusion zones | ^ 240 PSI (water) | ^^ 200 PSI (water)

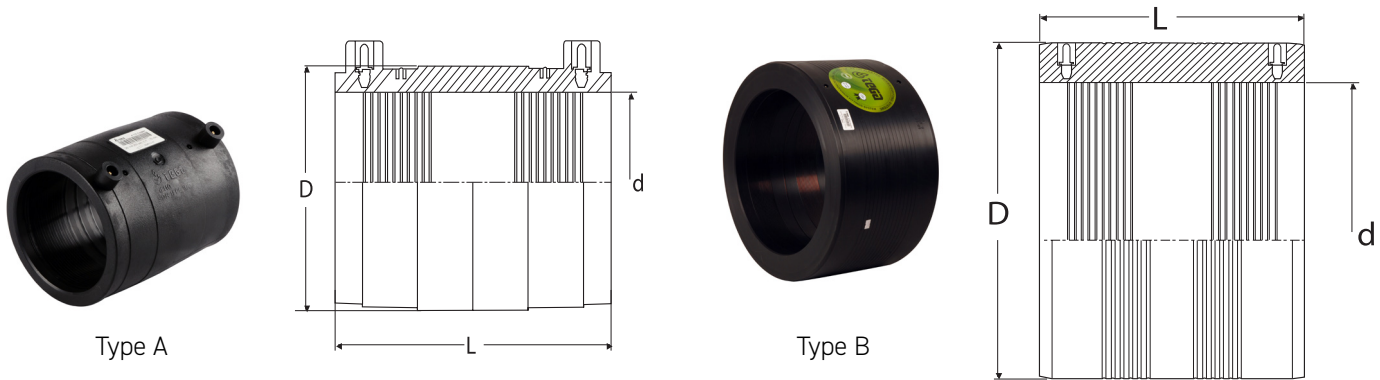
SDR 17 COUPLERS IPS

Fusibility Range - Pipe Series SDR 17 to SDR 21
 Water - 160 PSI at 73° F Sustainable Maximum Operating Pressure
 Gas - 100 PSI at 73° F Sustainable Maximum Operating Pressure

- Suitable for Water, Fluids & Slurries
- Engineered for PE3408, PE4710 & PE100 HDPE Pipe Systems



Manufactured in accordance with: ASTM F714-22, ASTM F1055-22, ASTM D2513-20, ASTM D3035-22, ASTM D3261-16, ASTM D3350-21, AWWA C901-20, AWWA C906-15, DIN 16963, BS EN 1555, BS EN 12201, NSF/ANSI/CAN 61-2022, and ISO-9001 Certified



Nominal Size	Actual Size (d)	Norm	(D)	(L)	Weight (lbs.)	Type	Part Number
6"	6.63	IPS	7.76	7.48	3.31	A	02-EFC-2200033 *
8"	8.63	IPS	10.31	8.03	7.00	A	02-EFC-2200034 *
10"	10.75	IPS	12.60	8.66	10.18	A	02-EFC-2200036 *
12"	12.75	IPS	14.96	9.06	15.10	A	02-EFC-2200037 *
14"	14.00	IPS	16.34	10.00	19.32	A	02-EFC-2200038 *
16"	16.00	IPS	18.50	11.81	27.78	A	02-EFC-2200039 * †
18"	18.00	IPS	20.87	12.60	38.21	B	02-EFC-2200040 * †
20"	20.00	IPS	23.23	14.41	54.75	B	02-EFC-2200041 * †
22"	22.00	IPS	25.79	15.75	77.60	B	02-EFC-2200042 * †
24"	24.00	IPS	27.95	15.75	88.05	B	02-EFC-2200043 * †
26"	26.00	IPS	30.51	16.54	114.78	B	02-EFC-2200044 * †
28"	28.00	IPS	33.07	17.52	147.71	B	02-EFC-2200045 * †
30"	30.00	IPS	35.43	17.52	169.57	B	02-EFC-2200046 * †
32"	32.00	IPS	37.20	18.50	181.46	B	02-EFC-2200047 * †
34"	34.00	IPS	40.16	18.90	234.93	B	02-EFC-2200048 * †
36"	36.00	IPS	41.73	19.69	238.80	B	02-EFC-2200049 * †
40"	40.00	IPS	46.85	19.69	318.86	B	02-EFC-2200184 * †
42"	42.00	IPS	49.21	19.69	352.58	B	02-EFC-2200050 * †
48"	48.00	IPS	55.12	19.69	413.04	B	02-EFC-2200051 * †
54"	54.00	IPS	62.20	19.69	562.07	B	02-EFC-2200052 * †
63"	63.00	IPS	72.64	19.69	693.80	B	02-EFC-2200409 * †

† Dual fusion zones

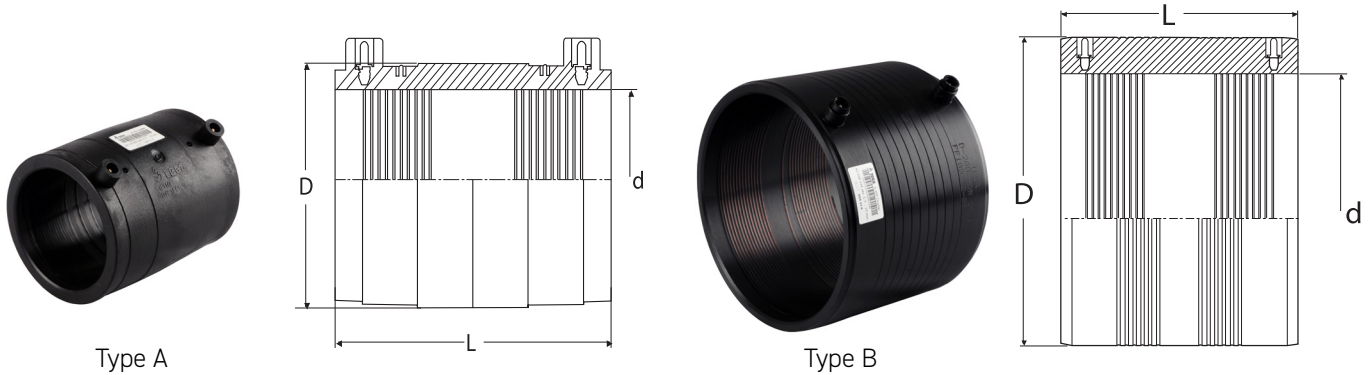
SDR 26 COUPLERS IPS

Fusibility Range - Pipe Series SDR 21 to SDR 32.5
 Water - 100 PSI at 73° F Sustainable Maximum Operating Pressure
 Gas - 60 PSI at 73° F Sustainable Maximum Operating Pressure

- Suitable for Water, Fluids & Slurries
- Engineered for PE3408, PE4710 & PE100 HDPE Pipe Systems



Manufactured in accordance with: ASTM F714-22, ASTM F1055-22, ASTM D2513-20, ASTM D3035-22, ASTM D3261-16, ASTM D3350-21, AWWA C901-20, AWWA C906-15, DIN 16963, BS EN 1555, BS EN 12201, NSF/ANSI/CAN 61-2022, and ISO-9001 Certified



Nominal Size	Actual Size (d)	Norm	(D)	(L)	Weight (lbs.)	Type	Part Number
3"	3.50	IPS	4.06	3.94	0.45	A	02-EFC-2200008
4"	4.50	IPS	4.92	3.94	0.43	A	02-EFC-2200009
6"	6.63	IPS	7.36	6.69	1.88	B	02-EFC-2200010
8"	8.63	IPS	9.57	6.69	3.12	B	02-EFC-2200011
10"	10.75	IPS	12.01	6.69	5.22	B	02-EFC-2200012 †
12"	12.75	IPS	14.56	7.09	5.90	B	02-EFC-2200013 †
14"	14.00	IPS	15.28	7.09	7.20	B	02-EFC-2200014 †
16"	16.00	IPS	17.64	8.66	12.99	B	02-EFC-2200015 †
18"	18.00	IPS	19.88	9.06	17.57	B	02-EFC-2200016 †
20"	20.00	IPS	22.64	9.06	27.73	B	02-EFC-2200017 †
22"	22.00	IPS	24.21	9.84	27.40	B	02-EFC-2200018 †
24"	24.00	IPS	26.38	13.78	44.94	B	02-EFC-2200019 †
26"	26.00	IPS	28.90	13.78	59.68	B	02-EFC-2200020* †
28"	28.00	IPS	30.71	13.78	59.66	B	02-EFC-2200021* †
30"	30.00	IPS	33.07	13.78	72.66	B	02-EFC-2200022* †
32"	32.00	IPS	35.04	13.78	76.44	B	02-EFC-2200023* †
34"	34.00	IPS	37.40	14.96	98.93	B	02-EFC-2200024* †
36"	36.00	IPS	40.55	14.96	141.98	B	02-EFC-2200025* †
40"	40.00	IPS	44.49	14.96	154.45	B	02-EFC-2200027* †

† Dual fusion zones



SDR 26 COUPLERS IPS

Fusibility Range - Pipe Series SDR 21 to SDR 32.5
 Water - 100 PSI at 73° F Sustainable Maximum Operating Pressure
 Gas - 60 PSI at 73° F Sustainable Maximum Operating Pressure

- Suitable for Water, Fluids & Slurries
- Engineered for PE3408, PE4710 & PE100 HDPE Pipe Systems



Manufactured in accordance with: ASTM F714-22, ASTM F1055-22, ASTM D2513-20, ASTM D3035-22, ASTM D3261-16, ASTM D3350-21, AWWA C901-20, AWWA C906-15, DIN 16963, BS EN 1555, BS EN 12201, NSF/ANSI/CAN 61-2022, and ISO-9001 Certified

Nominal Size	Actual Size (d)	Norm	(D)	(L)	Weight (lbs.)	Type	Part Number
42"	42.00	IPS	46.46	19.69	211.28	B	02-EFC-2200028* †
48"	48.00	IPS	53.15	19.69	279.16	B	02-EFC-2200030* †
54"	54.00	IPS	59.06	19.69	306.29	B	02-EFC-2200171* †
63"	63.00	IPS	68.50	19.69	387.90	B	02-EFC-2200031* †

† Dual fusion zones

SDR 11 COUPLERS DIPS

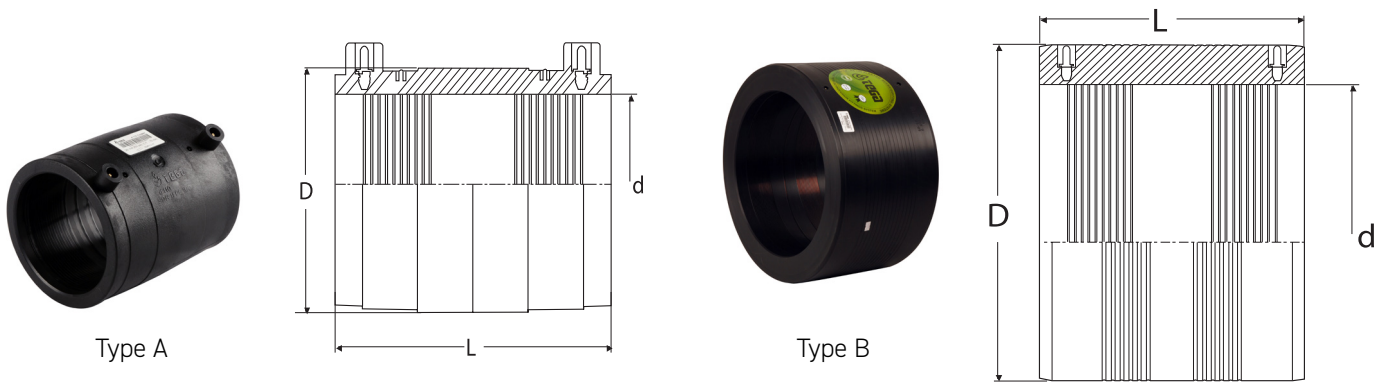
Fusibility Range - Pipe Series SDR 9 to SDR 17
 Water - 200 - 240 PSI at 73° F Sustainable Maximum Operating Pressure



- Suitable for Water, Fluids & Slurries
- Engineered for PE3408, PE4710 & PE100 HDPE Pipe Systems



Manufactured in accordance with: ASTM F714-22, ASTM F1055-22, ASTM D2513-20, ASTM D3035-22, ASTM D3261-16, ASTM D3350-21, AWWA C901-20, AWWA C906-15, DIN 16963, BS EN 1555, BS EN 12201, NSF/ANSI/CAN 61-2022, and ISO-9001 Certified



Nominal Size	Actual Size (d)	Norm	(D)	(L)	Weight (lbs.)	Type	Part Number
4"	4.80	DIPS	6.30	6.60	3.00	A	02-EFC-2200229
6"	6.90	DIPS	8.40	7.50	4.70	A	02-EFC-2200230
8"	9.05	DIPS	10.60	8.00	6.70	A	02-EFC-2200231 ^^
10"	11.10	DIPS	13.00	8.60	13.80	B	02-EFC-2200075 ^
12"	13.20	DIPS	15.35	9.50	24.00	B	02-EFC-2200232
14"	15.30	DIPS	18.30	11.80	41.50	B	02-EFC-2200076 †
16"	17.40	DIPS	20.86	12.60	56.30	B	02-EFC-2200077 †
18"	19.50	DIPS	23.20	14.40	68.50	B	02-EFC-2200078 ^ †
20"	21.60	DIPS	26.50	15.70	115.00	B	02-EFC-2200233 ^ †
24"	25.80	DIPS	31.50	16.50	156.50	B	02-EFC-2200234 †
30"	32.00	DIPS	38.50	18.50	246.60	B	02-EFC-2200235* ^^ †
36"	38.30	DIPS	48.03	19.69	446.00	B	02-EFC-1800449* †

† Dual fusion zones | ^ 240 PSI (water) | ^^ 200 PSI (water)



SDR 17 COUPLERS DIPS

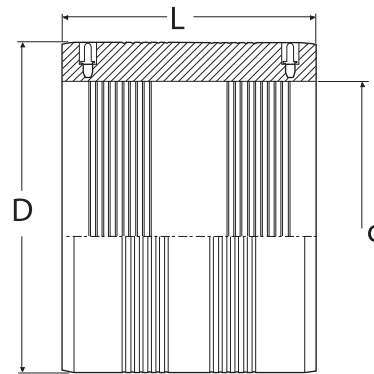
Fusibility Range - Pipe Series SDR 17 to SDR 21
 Water - 160 PSI at 73° F Sustainable Maximum Operating Pressure



- Suitable for Water, Fluids & Slurries
- Engineered for PE3408, PE4710 & PE100 HDPE Pipe Systems



Manufactured in accordance with: ASTM F714-22, ASTM F1055-22, ASTM D2513-20, ASTM D3035-22, ASTM D3261-16, ASTM D3350-21, AWWA C901-20, AWWA C906-15, DIN 16963, BS EN 1555, BS EN 12201, NSF/ANSI/CAN 61-2022, and ISO-9001 Certified



Nominal Size	Actual Size (d)	Norm	(D)	(L)	Weight (lbs.)	Part Number
6"	6.90	DIPS	8.10	7.50	3.50	02-EFC-2200220 *
8"	9.05	DIPS	10.60	7.80	5.70	02-EFC-2200035 *
10"	11.10	DIPS	13.00	8.60	10.60	02-EFC-2200221 *
12"	13.20	DIPS	15.35	9.50	16.00	02-EFC-2200222 *
14"	15.30	DIPS	18.30	11.80	29.80	02-EFC-2200223 * †
16"	17.40	DIPS	20.86	12.60	45.10	02-EFC-2200224 * †
18"	19.50	DIPS	23.20	14.40	54.60	02-EFC-2200225 * †
20"	21.60	DIPS	26.50	15.70	88.50	02-EFC-2200226 * †
24"	25.80	DIPS	30.50	16.50	112.70	02-EFC-2200227 * †
30"	32.00	DIPS	37.40	18.50	179.50	02-EFC-2200228 * †
36"	38.30	DIPS	44.88	19.69	290.57	02-EFC-1800448 * †
42"	44.50	DIPS	51.38	19.69	349.65	02-EFC-2200402 * †
48"	50.80	DIPS	59.25	19.69	493.62	02-EFC-2200051 * †

† Dual fusion zones



SDR 26 COUPLERS DIPS

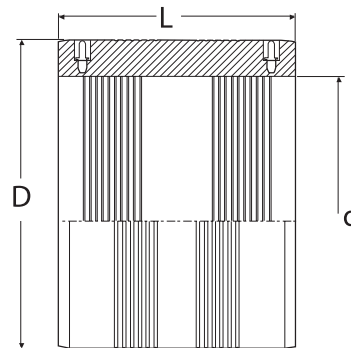
Fusibility Range - Pipe Series SDR 21 to SDR 32.5
 Water - 100 PSI at 73° F Sustainable Maximum Operating Pressure



- Suitable for Water, Fluids & Slurries
- Engineered for PE3408, PE4710 & PE100 HDPE Pipe Systems



Manufactured in accordance with: ASTM F714-22, ASTM F1055-22, ASTM D2513-20, ASTM D3035-22, ASTM D3261-16, ASTM D3350-21, AWWA C901-20, AWWA C906-15, DIN 16963, BS EN 1555, BS EN 12201, NSF/ANSI/CAN 61-2022, and ISO-9001 Certified



Nominal Size	Actual Size (d)	Norm	(D)	(L)	Weight (lbs.)	Part Number
4"	4.80	DIPS	5.30	3.94	0.55	02-EFC-2200210 *
6"	6.90	DIPS	7.67	6.30	1.87	02-EFC-2200211 *
8"	9.05	DIPS	9.84	6.50	2.54	02-EFC-2200315
10"	11.10	DIPS	12.20	6.50	4.50	02-EFC-2200212 *
12"	13.20	DIPS	14.75	7.08	8.30	02-EFC-2200213 *
14"	15.30	DIPS	17.10	8.66	13.80	02-EFC-2200214 *
16"	17.40	DIPS	19.25	8.66	16.20	02-EFC-2200215 *
18"	19.50	DIPS	21.50	8.66	20.60	02-EFC-2200216 *
20"	21.60	DIPS	24.20	9.84	29.20	02-EFC-2200217 * †
24"	25.80	DIPS	28.40	12.90	48.20	02-EFC-2200218 * †
30"	32.00	DIPS	35.40	13.70	75.50	02-EFC-2200219 * †
36"	38.30	DIPS	42.10	15.00	124.00	02-EFC-2200026 * †
42"	44.50	DIPS	48.82	19.69	213.40	02-EFC-2200410 * †
48"	50.80	DIPS	55.86	19.69	287.00	02-EFC-2200172 * †

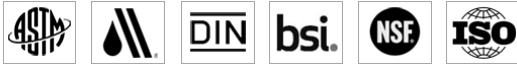
† Dual fusion zones



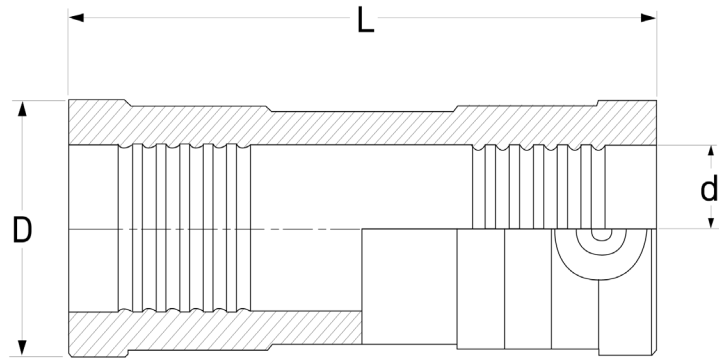
SDR 11 LONG COUPLERS IPS

Water - 240 PSI at 73° F Sustainable Maximum Operating Pressure
 Gas - 125 PSI at 73° F Sustainable Maximum Operating Pressure

- Suitable for Water, Fluids & Slurries
- Engineered for PE3408, PE4710 & PE100 HDPE Pipe Systems



Manufactured in accordance with: ASTM F714-22, ASTM F1055-22, ASTM D2513-20, ASTM D3035-22, ASTM D3261-16, ASTM D3350-21, AWWA C901-20, AWWA C906-15, DIN 16963, BS EN 1555, BS EN 12201, NSF/ANSI/CAN 61-2022, and ISO-9001 Certified



Nominal Size	Actual Size (d)	Norm	(D)	(L)	Weight (lbs.)	Part Number
3/4"	1.05	IPS	1.28	4.25	1.43	02-EFC-2200236 *
1"	1.13	CTS	1.69	5.04	0.26	02-EFC-2200237 *
1"	1.31	IPS	1.69	5.04	0.26	02-EFC-2200238 *
1 - 1/4"	1.66	IPS	2.09	6.38	0.33	02-EFC-2200239 *
1 - 1/2"	1.90	IPS	2.63	6.38	0.61	02-EFC-2200240 *
2"	2.37	IPS	3.15	7.32	1.13	02-EFC-2200241 *
3"	3.50	IPS	4.45	10.04	2.94	02-EFC-2200242 *
4"	4.50	IPS	5.70	11.93	5.28	02-EFC-2200243 *



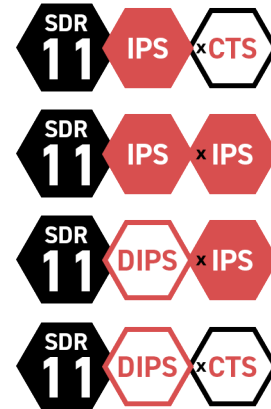
SDR 11 TAPPING TEES

Fusibility Range - Pipe Series SDR 11 to SDR 17
 Water - 240 PSI at 73° F Sustainable Maximum Operating Pressure
 Gas - 125 PSI at 73° F Sustainable Maximum Operating Pressure

- Suitable for Water, Fluids & Slurries
- Engineered for PE3408, PE4710 & PE100 HDPE Pipe Systems



Manufactured in accordance with: ASTM F714-22, ASTM F1055-22, ASTM D2513-20, ASTM D3035-22, ASTM D3261-16, ASTM D3350-21, AWWA C901-20, AWWA C906-15, DIN 16963, BS EN 1555, BS EN 12201, NSF/ANSI/CAN 61-2022, and ISO-9001 Certified



TYPE A



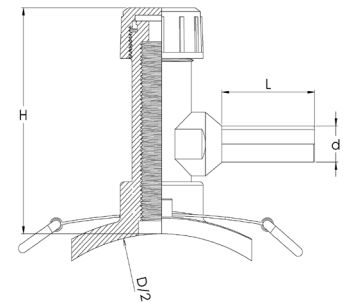
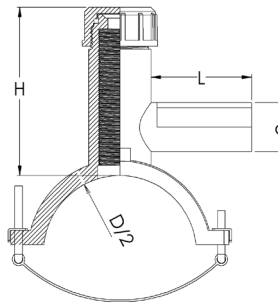
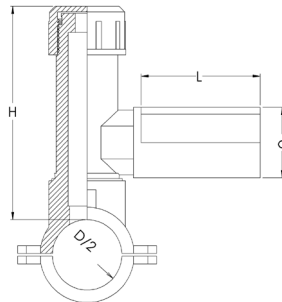
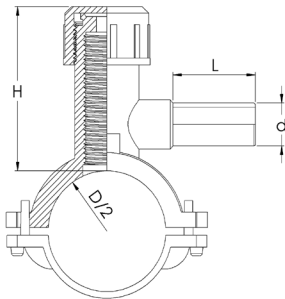
TYPE B



TYPE C



TYPE D



Nominal Base Size	Actual Base Size (D/2)	Base Norm	Nominal Outlet Size	Actual Outlet Size (d)	Outlet Norm	(H)	(L)	Weight (lbs.)	Type	Part Number
1 1/4"	0.83	IPS	0.63	1/2"	CTS	4.13	1.73	0.64	A	02-ETT-2202000*
1 1/4"	0.83	IPS	0.84	1/2"	IPS	4.13	1.73	0.66	A	02-ETT-2202068*
1 1/4"	0.83	IPS	0.87	3/4"	CTS	4.13	1.73	0.66	A	02-ETT-2202069*
1 1/4"	0.83	IPS	1.05	3/4"	IPS	4.13	1.73	0.66	A	02-ETT-2202001*
1 1/4"	0.83	IPS	1.13	1"	CTS	4.13	1.73	0.68	A	02-ETT-2202070*
1 1/4"	0.83	IPS	1.31	1"	IPS	4.13	1.85	0.68	A	02-ETT-2202002
1 1/2"	0.95	IPS	0.63	1/2"	CTS	4.13	2.05	1.06	A	02-ETT-2202071*
1 1/2"	0.95	IPS	0.84	1/2"	IPS	4.13	2.05	1.12	A	02-ETT-2202072*
1 1/2"	0.95	IPS	0.87	3/4"	CTS	4.13	2.05	1.15	A	02-ETT-2202073*
1 1/2"	0.95	IPS	1.05	3/4"	IPS	4.13	2.13	1.26	A	02-ETT-2202074*
1 1/2"	0.95	IPS	1.13	1"	CTS	4.13	2.13	1.28	A	02-ETT-2202004*
1 1/2"	0.95	IPS	1.31	1"	IPS	4.13	3.35	1.30	A	02-ETT-2202005



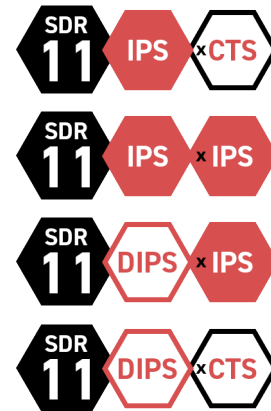
SDR 11 TAPPING TEES

Fusibility Range - Pipe Series SDR 11 to SDR 17
 Water - 240 PSI at 73° F Sustainable Maximum Operating Pressure
 Gas - 125 PSI at 73° F Sustainable Maximum Operating Pressure

- Suitable for Water, Fluids & Slurries
- Engineered for PE3408, PE4710 & PE100 HDPE Pipe Systems



Manufactured in accordance with: ASTM F714-22, ASTM F1055-22, ASTM D2513-20, ASTM D3035-22, ASTM D3261-16, ASTM D3350-21, AWWA C901-20, AWWA C906-15, DIN 16963, BS EN 1555, BS EN 12201, NSF/ANSI/CAN 61-2022, and ISO-9001 Certified



Nominal Base Size	Actual Base Size (D/2)	Base Norm	Nominal Outlet Size	Actual Outlet Size (d)	Outlet Norm	(H)	(L)	Weight (lbs.)	Type	Part Number
1 1/2"	0.95	IPS	1.38	1 1/4"	IPS	4.13	3.35	1.30	A	02-ETT-2202075
2"	1.19	IPS	0.63	1/2"	CTS	4.13	2.05	1.19	A	02-ETT-2202006*
2"	1.19	IPS	0.84	1/2"	IPS	4.13	2.05	1.23	A	02-ETT-2202007
2"	1.19	IPS	0.87	3/4"	CTS	4.13	2.05	1.23	A	02-ETT-2202008
2"	1.19	IPS	1.05	3/4"	IPS	4.13	2.13	1.28	A	02-ETT-2202009
2"	1.19	IPS	1.13	1"	CTS	4.13	2.13	1.28	A	02-ETT-2202010
2"	1.19	IPS	1.31	1"	IPS	4.13	3.35	1.30	A	02-ETT-2202011
2"	1.19	IPS	1.66	1 1/4"	IPS	4.13	3.54	1.30	A	02-ETT-2202012
2"	1.19	IPS	1.90	1 1/2"	IPS	7.87	4.53	2.43	B	02-ETT-2202077
2"	1.19	IPS	2.37	2"	IPS	7.87	4.53	2.65	B	02-ETT-2202013
3"	1.75	IPS	0.63	1/2"	CTS	5.31	1.85	2.14	A	02-ETT-2202014
3"	1.75	IPS	0.84	1/2"	IPS	5.31	1.85	2.16	A	02-ETT-2202015
3"	1.75	IPS	0.87	3/4"	CTS	5.31	1.85	2.16	A	02-ETT-2202016
3"	1.75	IPS	1.05	3/4"	IPS	5.31	2.05	2.18	A	02-ETT-2202017
3"	1.75	IPS	1.13	1"	CTS	5.31	2.05	2.18	A	02-ETT-2202018
3"	1.75	IPS	1.31	1"	IPS	5.31	2.52	2.21	A	02-ETT-2202019
3"	1.75	IPS	1.66	1 1/4"	IPS	5.31	3.50	2.23	A	02-ETT-2202020
3"	1.75	IPS	1.90	1 1/2"	IPS	7.09	3.94	3.20	C	02-ETT-2202079
3"	1.75	IPS	2.37	2"	IPS	7.09	4.33	3.29	C	02-ETT-2202021
4"	2.25	IPS	0.63	1/2"	CTS	5.31	1.89	2.25	A	02-ETT-2202022
4"	2.25	IPS	0.84	1/2"	IPS	5.31	1.89	2.27	A	02-ETT-2202023
4"	2.25	IPS	0.87	3/4"	CTS	5.31	1.89	2.27	A	02-ETT-2202024
4"	2.25	IPS	1.05	3/4"	IPS	5.31	2.17	2.29	A	02-ETT-2202025
4"	2.25	IPS	1.13	1"	CTS	5.31	2.17	2.34	A	02-ETT-2202026*
4"	2.25	IPS	1.31	1"	IPS	5.31	2.68	2.36	A	02-ETT-2202027
4"	2.25	IPS	1.66	1 1/4"	IPS	5.31	2.76	2.38	A	02-ETT-2202028
4"	2.25	IPS	1.90	1 1/2"	IPS	7.09	2.95	2.38	A	02-ETT-2202029
4"	2.25	IPS	2.37	2"	IPS	7.09	2.95	3.31	A	02-ETT-2202030
6"	3.31	IPS	0.63	1/2"	CTS	5.31	2.01	1.72	C	02-ETT-2202036
6"	3.31	IPS	0.84	1/2"	IPS	5.31	2.01	1.72	C	02-ETT-2202037
6"	3.31	IPS	0.87	3/4"	CTS	5.31	2.01	1.72	C	02-ETT-2202038
6"	3.31	IPS	1.05	3/4"	IPS	5.31	1.89	1.74	C	02-ETT-2202039
6"	3.31	IPS	1.13	1"	CTS	5.31	1.89	1.74	C	02-ETT-2202040



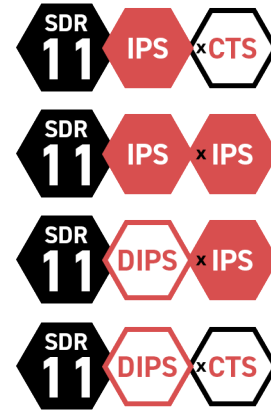
SDR 11 TAPPING TEES

Fusibility Range - Pipe Series SDR 11 to SDR 17
 Water - 240 PSI at 73° F Sustainable Maximum Operating Pressure
 Gas - 125 PSI at 73° F Sustainable Maximum Operating Pressure

- Suitable for Water, Fluids & Slurries
- Engineered for PE3408, PE4710 & PE100 HDPE Pipe Systems



Manufactured in accordance with: ASTM F714-22, ASTM F1055-22, ASTM D2513-20, ASTM D3035-22, ASTM D3261-16, ASTM D3350-21, AWWA C901-20, AWWA C906-15, DIN 16963, BS EN 1555, BS EN 12201, NSF/ANSI/CAN 61-2022, and ISO-9001 Certified



Nominal Base Size	Actual Base Size (D/2)	Base Norm	Nominal Outlet Size	Actual Outlet Size (d)	Outlet Norm	(H)	(L)	Weight (lbs.)	Type	Part Number
6"	3.31	IPS	1.31	1"	IPS	5.31	3.27	1.76	C	02-ETT-2202041
6"	3.31	IPS	1.66	1 1/4"	IPS	5.31	3.50	1.79	C	02-ETT-2202043
6"	3.31	IPS	1.90	1 1/2"	IPS	7.09	4.06	2.87	C	02-ETT-2202091
6"	3.31	IPS	2.37	2"	IPS	7.09	4.33	2.87	C	02-ETT-2202045
8"	4.31	IPS	0.63	1/2"	CTS	5.31	2.01	1.72	C	02-ETT-2202052
8"	4.31	IPS	0.84	1/2"	IPS	5.31	2.01	1.72	C	02-ETT-2202053
8"	4.31	IPS	0.87	3/4"	CTS	5.31	2.01	1.74	C	02-ETT-2202054
8"	4.31	IPS	1.05	3/4"	IPS	5.31	1.89	1.76	C	02-ETT-2202055
8"	4.31	IPS	1.13	1"	CTS	5.31	1.89	1.76	C	02-ETT-2202056
8"	4.31	IPS	1.31	1"	IPS	5.31	3.27	1.79	C	02-ETT-2202057
8"	4.31	IPS	1.66	1 1/4"	IPS	5.31	3.50	1.81	C	02-ETT-2202065
8"	4.31	IPS	1.90	1 1/2"	IPS	7.09	3.39	2.76	C	02-ETT-2202103
8"	4.31	IPS	2.37	2"	IPS	7.09	4.45	2.76	C	02-ETT-2202058
10"	5.38	IPS	0.63	1/2"	CTS	5.31	2.01	1.72	D	02-ETT-2202104*
10"	5.38	IPS	0.84	1/2"	IPS	5.31	2.01	1.72	D	02-ETT-2202105*
10"	5.38	IPS	0.87	3/4"	CTS	5.31	2.01	1.72	D	02-ETT-2202106*
10"	5.38	IPS	1.05	3/4"	IPS	5.31	1.89	1.74	D	02-ETT-2202107*
10"	5.38	IPS	1.13	1"	CTS	5.31	1.89	1.74	D	02-ETT-2202108*
10"	5.38	IPS	1.31	1"	IPS	5.31	3.27	1.76	D	02-ETT-2202109*
10"	5.38	IPS	1.66	1 1/4"	IPS	5.31	3.50	1.79	D	02-ETT-2202110*
10"	5.38	IPS	???	1 1/4"	CTS	5.31	3.27	1.76	D	02-ETT-2202111*
10"	5.38	IPS	1.90	1 1/2"	IPS	7.09	3.39	2.76	D	02-ETT-2202112*
10"	5.38	IPS	2.37	2"	IPS	7.09	4.45	2.76	D	02-ETT-2202063*
4"	2.40	DIPS	0.63	1/2"	CTS	5.31	1.89	2.27	A	02-ETT-2202122*
4"	2.40	DIPS	0.84	1/2"	IPS	5.31	1.89	2.29	A	02-ETT-2202123*
4"	2.40	DIPS	0.87	3/4"	CTS	5.31	1.89	2.29	A	02-ETT-2202031*
4"	2.40	DIPS	1.05	3/4"	IPS	5.31	2.17	2.32	A	02-ETT-2202032
4"	2.40	DIPS	1.13	1"	CTS	5.31	2.17	2.32	A	02-ETT-2202033
4"	2.40	DIPS	1.31	1"	IPS	5.31	2.68	2.36	A	02-ETT-2202034
4"	2.40	DIPS	1.66	1 1/4"	IPS	5.31	2.76	2.38	A	02-ETT-2202124*
4"	2.40	DIPS	1.90	1 1/2"	IPS	7.09	2.95	3.31	C	02-ETT-2202126
4"	2.40	DIPS	2.37	2"	IPS	7.09	2.95	3.31	C	02-ETT-2202127
6"	3.45	DIPS	0.63	1/2"	CTS	5.31	2.01	1.72	C	02-ETT-2202046



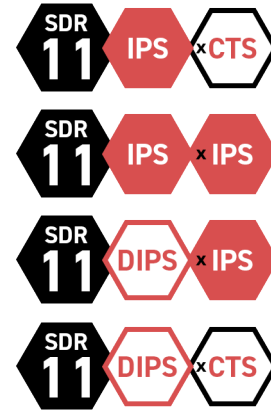
SDR 11 TAPPING TEES

Fusibility Range - Pipe Series SDR 11 to SDR 17
 Water - 240 PSI at 73° F Sustainable Maximum Operating Pressure
 Gas - 125 PSI at 73° F Sustainable Maximum Operating Pressure

- Suitable for Water, Fluids & Slurries
- Engineered for PE3408, PE4710 & PE100 HDPE Pipe Systems



Manufactured in accordance with: ASTM F714-22, ASTM F1055-22, ASTM D2513-20, ASTM D3035-22, ASTM D3261-16, ASTM D3350-21, AWWA C901-20, AWWA C906-15, DIN 16963, BS EN 1555, BS EN 12201, NSF/ANSI/CAN 61-2022, and ISO-9001 Certified



Nominal Base Size	Actual Base Size (D/2)	Base Norm	Nominal Outlet Size	Actual Outlet Size (d)	Outlet Norm	(H)	(L)	Weight (lbs.)	Type	Part Number
6"	3.45	DIPS	0.84	1/2"	IPS	5.31	2.01	1.72	C	02-ETT-2202128*
6"	3.45	DIPS	0.87	3/4"	CTS	5.31	2.01	1.72	C	02-ETT-2202047
6"	3.45	DIPS	1.05	3/4"	IPS	5.31	1.89	1.74	C	02-ETT-2202048
6"	3.45	DIPS	1.13	1"	CTS	5.31	1.89	1.76	C	02-ETT-2202049
6"	3.45	DIPS	1.31	1"	IPS	5.31	3.27	1.76	C	02-ETT-2202050
6"	3.45	DIPS	1.66	1 1/4"	IPS	5.31	3.50	1.79	C	02-ETT-2202129*
6"	3.45	DIPS	1.90	1 1/2"	IPS	7.09	3.39	2.87	C	02-ETT-2202131
6"	3.45	DIPS	2.37	2"	IPS	7.09	3.39	2.87	C	02-ETT-2202051
8"	4.53	DIPS	0.63	1/2"	CTS	5.31	2.01	1.72	C	02-ETT-2202132*
8"	4.53	DIPS	0.84	1/2"	IPS	5.31	2.01	1.74	C	02-ETT-2202133*
8"	4.53	DIPS	0.87	3/4"	CTS	5.31	2.01	1.74	C	02-ETT-2202059
8"	4.53	DIPS	1.05	3/4"	IPS	5.31	1.89	1.74	C	02-ETT-2202060
8"	4.53	DIPS	1.13	1"	CTS	5.31	1.89	1.76	C	02-ETT-2202061
8"	4.53	DIPS	1.31	1"	IPS	5.31	3.27	1.79	C	02-ETT-2202134
8"	4.53	DIPS	1.66	1 1/4"	IPS	5.31	3.50	1.81	C	02-ETT-2202135
8"	4.53	DIPS	1.90	1 1/2"	IPS	7.09	3.39	2.76	C	02-ETT-2202137
8"	4.53	DIPS	2.37	2"	IPS	7.09	4.45	2.76	C	02-ETT-2202138
10"	5.55	DIPS	0.63	1/2"	CTS	5.31	2.01	1.72	D	02-ETT-2202139*
10"	5.55	DIPS	0.84	1/2"	IPS	5.31	2.01	1.72	D	02-ETT-2202140*
10"	5.55	DIPS	0.87	3/4"	CTS	5.31	2.01	1.74	D	02-ETT-2202141*
10"	5.55	DIPS	1.05	3/4"	IPS	5.31	1.89	1.74	D	02-ETT-2202142*
10"	5.55	DIPS	1.13	1"	CTS	5.31	1.89	1.74	D	02-ETT-2202143*
10"	5.55	DIPS	1.31	1"	IPS	5.31	3.27	1.76	D	02-ETT-2202144*
10"	5.55	DIPS	1.66	1 1/4"	IPS	5.31	3.50	1.81	D	02-ETT-2202145*
10"	5.55	DIPS	???	1 1/4"	CTS	5.31	3.27	1.76	D	02-ETT-2202146*
10"	5.55	DIPS	1.90	1 1/2"	IPS	7.09	3.39	2.76	D	02-ETT-2202147*
10"	5.55	DIPS	2.37	2"	IPS	7.09	4.45	2.76	D	02-ETT-2202148*



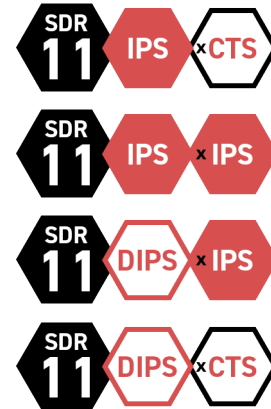
SDR 11 SMALL BRANCH SADDLES

Fusibility Range - Pipe Series SDR 7 to SDR 32.5
 Water - 240 PSI at 73° F Sustainable Maximum Operating Pressure
 Gas - 125 PSI at 73° F Sustainable Maximum Operating Pressure

- Suitable for Water, Fluids & Slurries
- Engineered for PE3408, PE4710 & PE100 HDPE Pipe Systems



Manufactured in accordance with: ASTM F714-22, ASTM F1055-22, ASTM D2513-20, ASTM D3035-22, ASTM D3261-16, ASTM D3350-21, AWWA C901-20, AWWA C906-15, DIN 16963, BS EN 1555, BS EN 12201, NSF/ANSI/CAN 61-2022, and ISO-9001 Certified



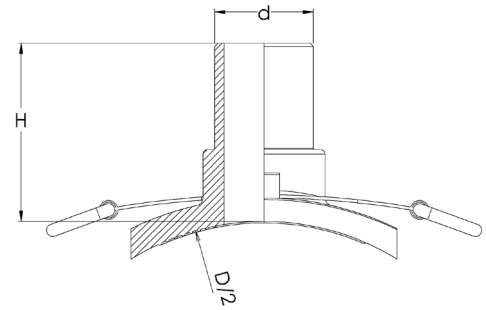
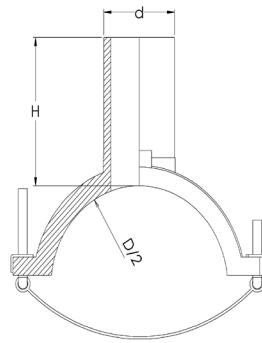
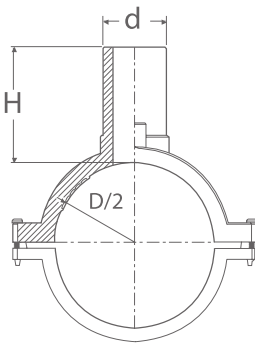
TYPE A



TYPE B



TYPE C



Nominal Base Size (D)	Actual Base Size (D/2)	Base Norm	Nominal Outlet Size	Actual Outlet Size (d)	Outlet Norm	(H)	Weight (lbs.)	Type	Part Number
1 1/4"	0.83	IPS	1/2"	0.63	CTS	2.95	0.32	A	02-EBS-2204554 *
1 1/4"	0.83	IPS	1/2"	0.84	IPS	2.95	0.33	A	02-EBS-2204555 *
1 1/4"	0.83	IPS	3/4"	0.87	CTS	2.95	0.33	A	02-EBS-2204556 *
1 1/4"	0.83	IPS	3/4"	1.05	IPS	2.95	0.36	A	02-EBS-2204051
1 1/4"	0.83	IPS	1"	1.13	CTS	2.95	0.39	A	02-EBS-2204557 *
1 1/4"	0.83	IPS	1"	1.31	IPS	2.95	0.40	A	02-EBS-2204325
1 1/2"	0.95	IPS	1/2"	0.63	CTS	2.95	0.33	A	02-EBS-2204558 *
1 1/2"	0.95	IPS	1/2"	0.84	IPS	2.95	0.35	A	02-EBS-2204052
1 1/2"	0.95	IPS	3/4"	0.87	CTS	2.95	0.36	A	02-EBS-2204559
1 1/2"	0.95	IPS	3/4"	1.05	IPS	2.95	0.37	A	02-EBS-2204766 *
1 1/2"	0.95	IPS	1"	1.13	CTS	2.95	0.37	A	02-EBS-2204053 *
1 1/2"	0.95	IPS	1"	1.31	IPS	2.95	0.41	A	02-EBS-2204054



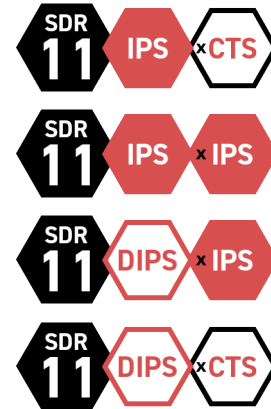
SDR 11 SMALL BRANCH SADDLES

Fusibility Range - Pipe Series SDR 7 to SDR 32.5
 Water - 240 PSI at 73° F Sustainable Maximum Operating Pressure
 Gas - 125 PSI at 73° F Sustainable Maximum Operating Pressure

- Suitable for Water, Fluids & Slurries
- Engineered for PE3408, PE4710 & PE100 HDPE Pipe Systems



Manufactured in accordance with: ASTM F714-22, ASTM F1055-22, ASTM D2513-20, ASTM D3035-22, ASTM D3261-16, ASTM D3350-21, AWWA C901-20, AWWA C906-15, DIN 16963, BS EN 1555, BS EN 12201, NSF/ANSI/CAN 61-2022, and ISO-9001 Certified



Nominal Base Size (D)	Actual Base Size (D/2)	Base Norm	Nominal Outlet Size	Actual Outlet Size (d)	Outlet Norm	(H)	Weight (lbs.)	Type	Part Number
1 1/2"	0.95	IPS	1 1/2"	1.90	IPS	2.67	0.41	A	02-EBS-2204055*
2"	1.19	IPS	1/2"	0.63	CTS	3.03	0.77	A	02-EBS-2204562*
2"	1.19	IPS	1/2"	0.84	IPS	3.03	0.77	A	02-EBS-2204056
2"	1.19	IPS	3/4"	0.87	CTS	3.03	0.77	A	02-EBS-2204563*
2"	1.19	IPS	3/4"	1.05	IPS	3.03	0.79	A	02-EBS-2204057
2"	1.19	IPS	1"	1.13	CTS	3.03	0.79	A	02-EBS-2204564
2"	1.19	IPS	1"	1.31	IPS	3.03	0.86	A	02-EBS-2204058
2"	1.19	IPS	1 1/4"	1.66	IPS	3.03	0.88	A	02-EBS-2204050
2"	1.19	IPS	1 1/2"	1.90	IPS	4.92	1.65	A	02-EBS-2204059
2"	1.19	IPS	2"	2.37	IPS	4.92	1.76	A	02-EBS-2204060
3"	1.75	IPS	1/2"	0.63	CTS	3.74	1.46	A	02-EBS-2204566
3"	1.75	IPS	1/2"	0.84	IPS	3.74	1.46	A	02-EBS-2204062
3"	1.75	IPS	3/4"	0.87	CTS	3.74	1.46	A	02-EBS-2204567*
3"	1.75	IPS	3/4"	1.05	IPS	3.74	1.50	A	02-EBS-2204063
3"	1.75	IPS	1"	1.13	CTS	3.74	1.50	A	02-EBS-2204568
3"	1.75	IPS	1"	1.31	IPS	3.74	1.52	A	02-EBS-2204064
3"	1.75	IPS	1 1/4"	1.66	IPS	3.74	1.54	B	02-EBS-2204065
3"	1.75	IPS	1 1/2"	1.90	IPS	5.31	1.57	A	02-EBS-2204066
3"	1.75	IPS	2"	2.37	IPS	5.31	1.59	A	02-EBS-2204067
4"	2.25	IPS	1/2"	0.63	CTS	3.74	1.61	A	02-EBS-2204570*
4"	2.25	IPS	1/2"	0.84	IPS	3.74	1.61	A	02-EBS-2204571
4"	2.25	IPS	3/4"	0.87	CTS	3.74	1.61	A	02-EBS-2204572*
4"	2.25	IPS	3/4"	1.05	IPS	3.74	1.63	A	02-EBS-2204573
4"	2.25	IPS	1"	1.13	CTS	3.74	1.63	A	02-EBS-2204574
4"	2.25	IPS	1"	1.31	IPS	3.74	1.65	A	02-EBS-2204071
4"	2.25	IPS	1 1/4"	1.66	IPS	3.74	1.68	A	02-EBS-2204072
4"	2.25	IPS	1 1/2"	1.90	IPS	5.31	1.70	A	02-EBS-2204073
4"	2.25	IPS	2"	2.37	IPS	5.31	1.72	A	02-EBS-2204074
6"	3.31	IPS	1/2"	0.63	CTS	3.74	2.05	B	02-EBS-2204576*
6"	3.31	IPS	1/2"	0.84	IPS	3.74	2.05	B	02-EBS-2204082
6"	3.31	IPS	3/4"	0.87	CTS	3.74	2.05	B	02-EBS-2204577*
6"	3.31	IPS	3/4"	1.05	IPS	3.74	2.09	B	02-EBS-2204578



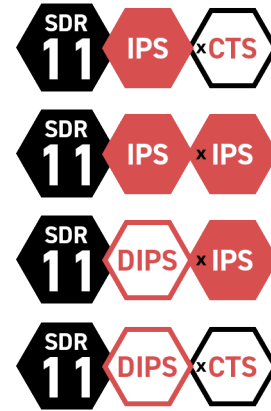
SDR 11 SMALL BRANCH SADDLES

Fusibility Range - Pipe Series SDR 7 to SDR 32.5
 Water - 240 PSI at 73° F Sustainable Maximum Operating Pressure
 Gas - 125 PSI at 73° F Sustainable Maximum Operating Pressure

- Suitable for Water, Fluids & Slurries
- Engineered for PE3408, PE4710 & PE100 HDPE Pipe Systems



Manufactured in accordance with: ASTM F714-22, ASTM F1055-22, ASTM D2513-20, ASTM D3035-22, ASTM D3261-16, ASTM D3350-21, AWWA C901-20, AWWA C906-15, DIN 16963, BS EN 1555, BS EN 12201, NSF/ANSI/CAN 61-2022, and ISO-9001 Certified



Nominal Base Size (D)	Actual Base Size (D/2)	Base Norm	Nominal Outlet Size	Actual Outlet Size (d)	Outlet Norm	(H)	Weight (lbs.)	Type	Part Number
6"	3.31	IPS	1"	1.13	CTS	3.74	2.09	B	02-EBS-2204579
6"	3.31	IPS	1"	1.31	IPS	3.74	2.12	B	02-EBS-2204083
6"	3.31	IPS	1 1/4"	1.66	IPS	3.74	2.14	B	02-EBS-2204084
6"	3.31	IPS	1 1/2"	1.90	IPS	5.31	2.20	B	02-EBS-2204085
6"	3.31	IPS	2"	2.37	IPS	5.31	2.23	B	02-EBS-2204086
8"	4.31	IPS	1/2"	0.63	CTS	3.74	1.98	B	02-EBS-2204591*
8"	4.31	IPS	1/2"	0.84	IPS	3.74	1.98	B	02-EBS-2204105
8"	4.31	IPS	3/4"	0.87	CTS	3.74	1.98	B	02-EBS-2204592*
8"	4.31	IPS	3/4"	1.05	IPS	3.74	2.01	B	02-EBS-2204593
8"	4.31	IPS	1"	1.13	CTS	3.74	2.01	B	02-EBS-2204097
8"	4.31	IPS	1"	1.31	IPS	3.74	2.03	B	02-EBS-2204098
8"	4.31	IPS	1 1/4"	1.66	IPS	3.74	2.05	B	02-EBS-2204099
8"	4.31	IPS	1 1/2"	1.90	IPS	5.31	2.07	B	02-EBS-2204100
8"	4.31	IPS	2"	2.37	IPS	5.31	2.09	B	02-EBS-2204101
10"	5.38	IPS	1/2"	0.63	CTS	3.94	1.46	C	02-EBS-2204595*
10"	5.38	IPS	1/2"	0.84	IPS	3.94	1.46	C	02-EBS-2204118*
10"	5.38	IPS	3/4"	0.87	CTS	3.94	1.46	C	02-EBS-2204596*
10"	5.38	IPS	3/4"	1.05	IPS	3.94	1.46	C	02-EBS-2204597
10"	5.38	IPS	1"	1.13	CTS	3.94	1.46	C	02-EBS-2204119
10"	5.38	IPS	1"	1.31	IPS	5.12	1.48	C	02-EBS-2204120
10"	5.38	IPS	1 1/4"	1.66	IPS	4.13	1.50	C	02-EBS-2204121
10"	5.38	IPS	1 1/2"	1.90	IPS	5.12	1.50	C	02-EBS-2204122
10"	5.38	IPS	2"	2.37	IPS	4.92	1.50	C	02-EBS-2204123
12"	6.37	IPS	1/2"	0.63	CTS	3.94	1.48	C	02-EBS-2204599
12"	6.37	IPS	1/2"	0.84	IPS	3.94	1.48	C	02-EBS-2204134*
12"	6.37	IPS	3/4"	0.87	CTS	3.94	1.48	C	02-EBS-2204600*
12"	6.37	IPS	3/4"	1.05	IPS	3.94	1.50	C	02-EBS-2204601
12"	6.37	IPS	1"	1.13	CTS	3.94	1.50	C	02-EBS-2204602*
12"	6.37	IPS	1"	1.31	IPS	5.12	1.52	C	02-EBS-2204135
12"	6.37	IPS	1 1/4"	1.66	IPS	4.13	1.54	C	02-EBS-2204136
12"	6.37	IPS	1 1/2"	1.90	IPS	5.12	1.54	C	02-EBS-2204137
12"	6.37	IPS	2"	2.37	IPS	4.92	1.54	C	02-EBS-2204138



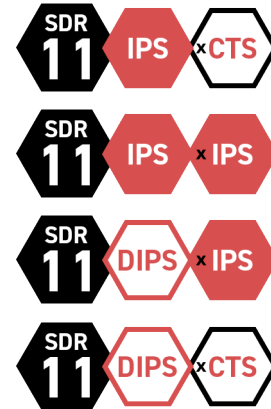
SDR 11 SMALL BRANCH SADDLES

Fusibility Range - Pipe Series SDR 7 to SDR 32.5
 Water - 240 PSI at 73° F Sustainable Maximum Operating Pressure
 Gas - 125 PSI at 73° F Sustainable Maximum Operating Pressure

- Suitable for Water, Fluids & Slurries
- Engineered for PE3408, PE4710 & PE100 HDPE Pipe Systems



Manufactured in accordance with: ASTM F714-22, ASTM F1055-22, ASTM D2513-20, ASTM D3035-22, ASTM D3261-16, ASTM D3350-21, AWWA C901-20, AWWA C906-15, DIN 16963, BS EN 1555, BS EN 12201, NSF/ANSI/CAN 61-2022, and ISO-9001 Certified



Nominal Base Size (D)	Actual Base Size (D/2)	Base Norm	Nominal Outlet Size	Actual Outlet Size (d)	Outlet Norm	(H)	Weight (lbs.)	Type	Part Number
14"	7.00	IPS	1/2"	0.63	CTS	3.94	1.68	C	02-EBS-2204604*
14"	7.00	IPS	1/2"	0.84	IPS	3.94	1.68	C	02-EBS-2204769*
14"	7.00	IPS	3/4"	0.87	CTS	3.94	1.68	C	02-EBS-2204605*
14"	7.00	IPS	3/4"	1.05	IPS	3.94	1.70	C	02-EBS-2204606*
14"	7.00	IPS	1"	1.13	CTS	3.94	1.70	C	02-EBS-2204607*
14"	7.00	IPS	1"	1.31	IPS	5.12	1.72	C	02-EBS-2204153
14"	7.00	IPS	1 1/4"	1.66	IPS	4.13	1.68	C	02-EBS-2204770*
14"	7.00	IPS	1 1/2"	1.90	IPS	5.12	1.70	C	02-EBS-2204332
14"	7.00	IPS	2"	2.37	IPS	4.92	1.72	C	02-EBS-2204154
16"	8.00	IPS	1/2"	0.63	CTS	3.94	0.95	C	02-EBS-2204610*
16"	8.00	IPS	1/2"	0.84	IPS	3.94	0.95	C	02-EBS-2204771*
16"	8.00	IPS	3/4"	0.87	CTS	3.94	0.95	C	02-EBS-2204611*
16"	8.00	IPS	3/4"	1.05	IPS	3.94	0.97	C	02-EBS-2204612*
16"	8.00	IPS	1"	1.13	CTS	3.94	0.97	C	02-EBS-2204613*
16"	8.00	IPS	1"	1.31	IPS	5.12	0.99	C	02-EBS-2204166
16"	8.00	IPS	1 1/4"	1.66	IPS	4.13	1.01	C	02-EBS-2204773*
16"	8.00	IPS	1 1/2"	1.90	IPS	5.12	1.15	C	02-EBS-2204774
16"	8.00	IPS	2"	2.37	IPS	4.92	1.15	C	02-EBS-2204167
18"	9.00	IPS	1/2"	0.63	CTS	3.94	0.95	C	02-EBS-2204617*
18"	9.00	IPS	1/2"	0.84	IPS	3.94	0.95	C	02-EBS-2204775*
18"	9.00	IPS	3/4"	0.87	CTS	3.94	0.95	C	02-EBS-2204618*
18"	9.00	IPS	3/4"	1.05	IPS	3.94	0.97	C	02-EBS-2204619*
18"	9.00	IPS	1"	1.13	CTS	3.94	0.97	C	02-EBS-2204620*
18"	9.00	IPS	1"	1.31	IPS	5.12	0.99	C	02-EBS-2204177
18"	9.00	IPS	1 1/4"	1.66	IPS	4.13	1.01	C	02-EBS-2204777*
18"	9.00	IPS	1 1/2"	1.90	IPS	5.12	1.15	C	02-EBS-2204778*
18"	9.00	IPS	2"	2.37	IPS	4.92	1.15	C	02-EBS-2204178
20"	10.00	IPS	1"	1.13	IPS	5.12	0.99	C	02-EBS-2204292
20"	10.00	IPS	2"	2.37	IPS	4.92	1.15	C	02-EBS-2204188
22"	11.00	IPS	2"	2.37	IPS	4.92	1.15	C	02-EBS-2204199
24"	12.00	IPS	1 1/2"	1.90	IPS	5.12	1.15	C	02-EBS-2204333
24"	12.00	IPS	2"	2.37	IPS	4.92	1.15	C	02-EBS-2204204



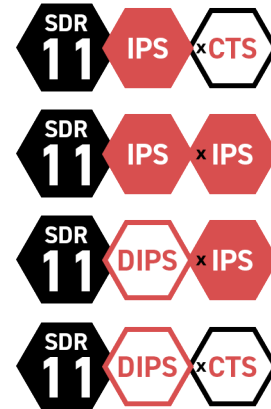
SDR 11 SMALL BRANCH SADDLES

Fusibility Range - Pipe Series SDR 7 to SDR 32.5
 Water - 240 PSI at 73° F Sustainable Maximum Operating Pressure
 Gas - 125 PSI at 73° F Sustainable Maximum Operating Pressure

- Suitable for Water, Fluids & Slurries
- Engineered for PE3408, PE4710 & PE100 HDPE Pipe Systems



Manufactured in accordance with: ASTM F714-22, ASTM F1055-22, ASTM D2513-20, ASTM D3035-22, ASTM D3261-16, ASTM D3350-21, AWWA C901-20, AWWA C906-15, DIN 16963, BS EN 1555, BS EN 12201, NSF/ANSI/CAN 61-2022, and ISO-9001 Certified



Nominal Base Size (D)	Actual Base Size (D/2)	Base Norm	Nominal Outlet Size	Actual Outlet Size (d)	Outlet Norm	(H)	Weight (lbs.)	Type	Part Number
26"	13.00	IPS	2"	2.37	IPS	4.92	1.15	C	02-EBS-2204214
28"	14.00	IPS	2"	2.37	IPS	4.92	1.15	C	02-EBS-2204219
30"	15.00	IPS	2"	2.37	IPS	4.92	1.15	C	02-EBS-2204224
32"	16.00	IPS	2"	2.37	IPS	4.92	1.15	C	02-EBS-2204229
36"	18.00	IPS	2"	2.37	IPS	4.92	1.15	C	02-EBS-2204237
4"	2.40	DIPS	1/2"	0.63	CTS	3.74	1.65	B	02-EBS-2204634*
4"	2.40	DIPS	1/2"	0.84	IPS	3.74	1.65	B	02-EBS-2204635*
4"	2.40	DIPS	3/4"	0.87	CTS	3.74	1.65	B	02-EBS-2204636*
4"	2.40	DIPS	3/4"	1.05	IPS	3.74	1.65	B	02-EBS-2204637*
4"	2.40	DIPS	1"	1.13	CTS	3.74	1.65	B	02-EBS-2204638*
4"	2.40	DIPS	1"	1.31	IPS	3.74	1.68	B	02-EBS-2204077
4"	2.40	DIPS	1 1/4"	1.66	IPS	3.74	1.72	B	02-EBS-2204639*
4"	2.40	DIPS	1 1/2"	1.90	IPS	5.31	1.74	B	02-EBS-2204641*
4"	2.40	DIPS	2"	2.37	IPS	5.31	1.76	B	02-EBS-2204078
6"	3.45	DIPS	1/2"	0.63	CTS	3.74	2.05	B	02-EBS-2204642*
6"	3.45	DIPS	1/2"	0.84	IPS	3.74	2.05	B	02-EBS-2204643*
6"	3.45	DIPS	3/4"	0.87	CTS	3.74	2.05	B	02-EBS-2204644*
6"	3.45	DIPS	3/4"	1.05	IPS	3.74	2.09	B	02-EBS-2204645*
6"	3.45	DIPS	1"	1.13	CTS	3.74	2.09	B	02-EBS-2204646*
6"	3.45	DIPS	1"	1.31	IPS	3.74	2.12	B	02-EBS-2204091*
6"	3.45	DIPS	1 1/4"	1.66	IPS	3.74	2.14	B	02-EBS-2204647*
6"	3.45	DIPS	1 1/2"	1.90	IPS	5.31	2.20	B	02-EBS-2204649*
6"	3.45	DIPS	2"	2.37	IPS	5.31	2.23	B	02-EBS-2204092
8"	4.53	DIPS	1/2"	0.63	CTS	3.94	1.98	B	02-EBS-2204650*
8"	4.53	DIPS	1/2"	0.84	IPS	3.94	1.98	B	02-EBS-2204651*
8"	4.53	DIPS	3/4"	0.87	CTS	3.94	1.98	B	02-EBS-2204652*
8"	4.53	DIPS	3/4"	1.05	IPS	3.94	2.01	B	02-EBS-2204110*
8"	4.53	DIPS	1"	1.13	CTS	3.94	2.01	B	02-EBS-2204653*
8"	4.53	DIPS	1"	1.31	IPS	5.12	2.03	B	02-EBS-2204111*
8"	4.53	DIPS	1 1/4"	1.66	IPS	4.13	2.05	B	02-EBS-2204654*
8"	4.53	DIPS	1 1/2"	1.90	IPS	5.12	2.07	B	02-EBS-2204656*
8"	4.53	DIPS	2"	2.37	IPS	4.92	2.09	B	02-EBS-2204112



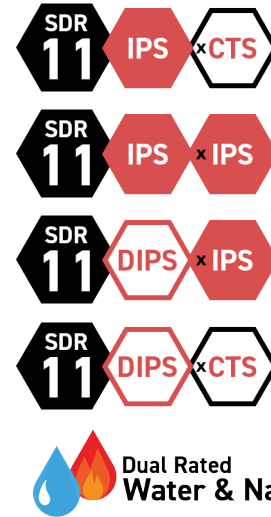
SDR 11 SMALL BRANCH SADDLES

Fusibility Range - Pipe Series SDR 7 to SDR 32.5
 Water - 240 PSI at 73° F Sustainable Maximum Operating Pressure
 Gas - 125 PSI at 73° F Sustainable Maximum Operating Pressure

- Suitable for Water, Fluids & Slurries
- Engineered for PE3408, PE4710 & PE100 HDPE Pipe Systems



Manufactured in accordance with: ASTM F714-22, ASTM F1055-22, ASTM D2513-20, ASTM D3035-22, ASTM D3261-16, ASTM D3350-21, AWWA C901-20, AWWA C906-15, DIN 16963, BS EN 1555, BS EN 12201, NSF/ANSI/CAN 61-2022, and ISO-9001 Certified



Nominal Base Size (D)	Actual Base Size (D/2)	Base Norm	Nominal Outlet Size	Actual Outlet Size (d)	Outlet Norm	(H)	Weight (lbs.)	Type	Part Number
10"	5.55	DIPS	1/2"	0.63	CTS	3.94	1.46	C	02-EBS-2204657*
10"	5.55	DIPS	1/2"	0.84	IPS	3.94	1.46	C	02-EBS-2204658*
10"	5.55	DIPS	3/4"	0.87	CTS	3.94	1.46	C	02-EBS-2204659*
10"	5.55	DIPS	3/4"	1.05	IPS	3.94	1.46	C	02-EBS-2204660*
10"	5.55	DIPS	1"	1.13	CTS	3.94	1.46	C	02-EBS-2204661*
10"	5.55	DIPS	1"	1.31	IPS	5.12	1.48	C	02-EBS-2204129
10"	5.55	DIPS	1 1/4"	1.66	IPS	4.13	1.50	C	02-EBS-2204662*
10"	5.55	DIPS	1 1/2"	1.90	IPS	5.12	1.50	C	02-EBS-2204664*
10"	5.55	DIPS	2"	2.37	IPS	4.92	1.50	C	02-EBS-2204130
12"	6.60	DIPS	1/2"	0.63	CTS	3.94	1.68	C	02-EBS-2204665*
12"	6.60	DIPS	1/2"	0.84	IPS	3.94	1.68	C	02-EBS-2204151*
12"	6.60	DIPS	3/4"	0.87	CTS	3.94	1.68	C	02-EBS-2204666*
12"	6.60	DIPS	3/4"	1.05	IPS	3.94	1.70	C	02-EBS-2204667*
12"	6.60	DIPS	1"	1.13	CTS	3.94	1.70	C	02-EBS-2204668*
12"	6.60	DIPS	1"	1.31	IPS	5.12	1.72	C	02-EBS-2204146*
12"	6.60	DIPS	1 1/4"	1.66	IPS	4.13	1.68	C	02-EBS-2204669*
12"	6.60	DIPS	1 1/2"	1.90	IPS	5.12	1.70	C	02-EBS-2204671*
12"	6.60	DIPS	2"	2.37	IPS	4.92	1.72	C	02-EBS-2204147
14"	7.65	DIPS	1/2"	0.63	CTS	3.94	0.95	C	02-EBS-2204672*
14"	7.65	DIPS	1/2"	0.84	IPS	3.94	0.95	C	02-EBS-2204673*
14"	7.65	DIPS	3/4"	0.87	CTS	3.94	0.95	C	02-EBS-2204674*
14"	7.65	DIPS	3/4"	1.05	IPS	3.94	0.97	C	02-EBS-2204675*
14"	7.65	DIPS	1"	1.13	CTS	3.94	0.97	C	02-EBS-2204676*
14"	7.65	DIPS	1"	1.31	IPS	5.12	0.99	C	02-EBS-2204160
14"	7.65	DIPS	1 1/4"	1.66	IPS	4.13	1.01	C	02-EBS-2204677*
14"	7.65	DIPS	1 1/2"	1.90	IPS	5.12	1.15	C	02-EBS-2204679*
14"	7.65	DIPS	2"	2.37	IPS	4.92	1.15	C	02-EBS-2204161
16"	8.70	DIPS	1/2"	0.63	CTS	3.94	0.95	C	02-EBS-2204680*
16"	8.70	DIPS	1/2"	0.84	IPS	3.94	0.95	C	02-EBS-2204681*
16"	8.70	DIPS	3/4"	0.87	CTS	3.94	0.95	C	02-EBS-2204682*
16"	8.70	DIPS	3/4"	1.05	IPS	3.94	0.97	C	02-EBS-2204683*
16"	8.70	DIPS	1"	1.13	CTS	3.94	0.97	C	02-EBS-2204684*



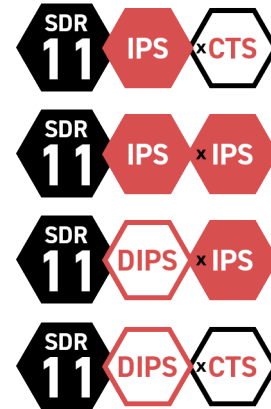
SDR 11 SMALL BRANCH SADDLES

Fusibility Range - Pipe Series SDR 7 to SDR 32.5
 Water - 240 PSI at 73° F Sustainable Maximum Operating Pressure
 Gas - 125 PSI at 73° F Sustainable Maximum Operating Pressure

- Suitable for Water, Fluids & Slurries
- Engineered for PE3408, PE4710 & PE100 HDPE Pipe Systems



Manufactured in accordance with: ASTM F714-22, ASTM F1055-22, ASTM D2513-20, ASTM D3035-22, ASTM D3261-16, ASTM D3350-21, AWWA C901-20, AWWA C906-15, DIN 16963, BS EN 1555, BS EN 12201, NSF/ANSI/CAN 61-2022, and ISO-9001 Certified



Nominal Base Size (D)	Actual Base Size (D/2)	Base Norm	Nominal Outlet Size	Actual Outlet Size (d)	Outlet Norm	(H)	Weight (lbs.)	Type	Part Number
16"	8.70	DIPS	1"	1.31	IPS	5.12	0.99	C	02-EBS-2204175
16"	8.70	DIPS	1 1/4"	1.66	IPS	4.13	1.01	C	02-EBS-2204685*
16"	8.70	DIPS	1 1/2"	1.90	IPS	5.12	1.15	C	02-EBS-2204687*
16"	8.70	DIPS	2"	2.37	IPS	4.92	1.15	C	02-EBS-2204172
20"	10.80	DIPS	2"	2.37	IPS	4.92	1.15	C	02-EBS-2204194



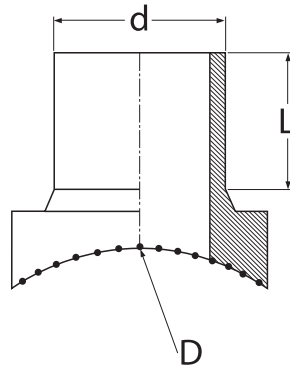
SDR 11 LARGE BRANCH SADDLES

Fusibility Range - Pipe Series SDR 7 to SDR 32.5
 Water - 240 PSI at 73° F Sustainable Maximum Operating Pressure
 Gas - 125 PSI at 73° F Sustainable Maximum Operating Pressure

- Suitable for Water, Fluids & Slurries
- Engineered for PE3408, PE4710 & PE100 HDPE Pipe Systems



Manufactured in accordance with: ASTM F714-22, ASTM F1055-22, ASTM D2513-20, ASTM D3035-22, ASTM D3261-16, ASTM D3350-21, AWWA C901-20, AWWA C906-15, DIN 16963, BS EN 1555, BS EN 12201, NSF/ANSI/CAN 61-2022, and ISO-9001 Certified



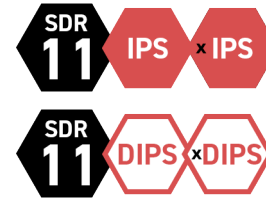
Nominal Base Size (D)	Base Norm	Nominal Outlet Size (d)	Outlet Norm	(L)	Weight (lbs.)	Part Number
3"	IPS	3"	IPS	3.54	1.32	02-EBS-2204068
4"	IPS	3"	IPS	3.54	1.32	02-EBS-2204075
4"	IPS	4"	IPS	3.54	2.65	02-EBS-2204076
6"	IPS	3"	IPS	3.54	1.32	02-EBS-2204087
6"	IPS	4"	IPS	3.54	2.65	02-EBS-2204088
6"	IPS	6"	IPS	5.91	4.20	02-EBS-1812157
8"	IPS	3"	IPS	3.54	1.32	02-EBS-2204102
8"	IPS	4"	IPS	3.54	2.65	02-EBS-2204103
8"	IPS	6"	IPS	5.91	5.07	02-EBS-2204107
8"	IPS	8"	IPS	5.91	5.07	02-EBS-2204109
10"	IPS	3"	IPS	3.54	1.32	02-EBS-2204124
10"	IPS	4"	IPS	3.54	2.65	02-EBS-2204125
10"	IPS	6"	IPS	5.91	5.07	02-EBS-2204127
10"	IPS	8"	IPS	5.91	9.92	02-EBS-2204128
12"	IPS	3"	IPS	3.54	1.32	02-EBS-2204139
12"	IPS	4"	IPS	3.54	2.65	02-EBS-2204140
12"	IPS	6"	IPS	5.91	5.07	02-EBS-2204141
12"	IPS	8"	IPS	5.91	9.92	02-EBS-2204143
14"	IPS	3"	IPS	3.54	1.32	02-EBS-2204155
14"	IPS	4"	IPS	3.54	2.65	02-EBS-2204156
14"	IPS	6"	IPS	5.91	5.07	02-EBS-2204157
14"	IPS	8"	IPS	5.91	9.92	02-EBS-2204158



SDR 11 LARGE BRANCH SADDLES

Fusibility Range - Pipe Series SDR 7 to SDR 32.5
 Water - 240 PSI at 73° F Sustainable Maximum Operating Pressure
 Gas - 125 PSI at 73° F Sustainable Maximum Operating Pressure

- Suitable for Water, Fluids & Slurries
- Engineered for PE3408, PE4710 & PE100 HDPE Pipe Systems



Manufactured in accordance with: ASTM F714-22, ASTM F1055-22, ASTM D2513-20, ASTM D3035-22, ASTM D3261-16, ASTM D3350-21, AWWA C901-20, AWWA C906-15, DIN 16963, BS EN 1555, BS EN 12201, NSF/ANSI/CAN 61-2022, and ISO-9001 Certified

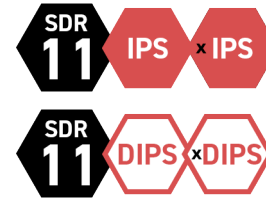
Nominal Base Size (D)	Base Norm	Nominal Outlet Size (d)	Outlet Norm	(L)	Weight (lbs.)	Part Number
16"	IPS	3"	IPS	3.54	1.32	02-EBS-2204168
16"	IPS	4"	IPS	3.54	2.65	02-EBS-2204169
16"	IPS	6"	IPS	5.91	5.07	02-EBS-2204170
16"	IPS	8"	IPS	5.91	9.92	02-EBS-2204171
18"	IPS	3"	IPS	3.54	1.32	02-EBS-2204179
18"	IPS	4"	IPS	3.54	2.65	02-EBS-2204180
18"	IPS	6"	IPS	5.91	5.07	02-EBS-2204181
18"	IPS	8"	IPS	5.91	9.92	02-EBS-1812158
20"	IPS	3"	IPS	3.54	1.32	02-EBS-2204189
20"	IPS	4"	IPS	3.54	2.65	02-EBS-2204190
20"	IPS	6"	IPS	5.91	5.07	02-EBS-2204191
20"	IPS	8"	IPS	5.91	9.92	02-EBS-2204193
22"	IPS	3"	IPS	3.54	1.32	02-EBS-2204200
22"	IPS	4"	IPS	3.54	2.65	02-EBS-2204201
22"	IPS	6"	IPS	5.91	5.07	02-EBS-2204291
22"	IPS	8"	IPS	5.91	9.92	02-EBS-2204202
24"	IPS	3"	IPS	3.54	1.32	02-EBS-2204205
24"	IPS	4"	IPS	3.54	2.65	02-EBS-2204206
24"	IPS	6"	IPS	5.91	5.07	02-EBS-2204207
24"	IPS	8"	IPS	5.91	9.92	02-EBS-2204209
26"	IPS	3"	IPS	5.91	1.32	02-EBS-2204215
26"	IPS	4"	IPS	5.91	2.65	02-EBS-2204216
26"	IPS	6"	IPS	5.91	5.07	02-EBS-2204217
26"	IPS	8"	IPS	5.91	9.92	02-EBS-2204218
28"	IPS	3"	IPS	5.91	1.32	02-EBS-2204220
28"	IPS	4"	IPS	5.91	2.65	02-EBS-2204221
28"	IPS	6"	IPS	5.91	5.07	02-EBS-2204222
28"	IPS	8"	IPS	5.91	9.92	02-EBS-2204223
30"	IPS	3"	IPS	3.54	1.32	02-EBS-2204225
30"	IPS	4"	IPS	3.54	2.65	02-EBS-2204226
30"	IPS	6"	IPS	5.91	5.07	02-EBS-2204227
30"	IPS	8"	IPS	5.91	9.92	02-EBS-2204228
32"	IPS	3"	IPS	3.54	1.32	02-EBS-2204230
32"	IPS	4"	IPS	3.54	2.65	02-EBS-2204231



SDR 11 LARGE BRANCH SADDLES

Fusibility Range - Pipe Series SDR 7 to SDR 32.5
 Water - 240 PSI at 73° F Sustainable Maximum Operating Pressure
 Gas - 125 PSI at 73° F Sustainable Maximum Operating Pressure

- Suitable for Water, Fluids & Slurries
- Engineered for PE3408, PE4710 & PE100 HDPE Pipe Systems



Manufactured in accordance with: ASTM F714-22, ASTM F1055-22, ASTM D2513-20, ASTM D3035-22, ASTM D3261-16, ASTM D3350-21, AWWA C901-20, AWWA C906-15, DIN 16963, BS EN 1555, BS EN 12201, NSF/ANSI/CAN 61-2022, and ISO-9001 Certified

Nominal Base Size (D)	Base Norm	Nominal Outlet Size (d)	Outlet Norm	(L)	Weight (lbs.)	Part Number
32"	IPS	6"	IPS	5.91	5.07	02-EBS-2204233
32"	IPS	8"	IPS	5.91	9.92	02-EBS-2204234
36"	IPS	3"	IPS	3.54	1.32	02-EBS-2204238
36"	IPS	4"	IPS	3.54	2.65	02-EBS-2204239
36"	IPS	6"	IPS	5.91	5.07	02-EBS-2204240
36"	IPS	8"	IPS	5.91	9.92	02-EBS-2204241
42"	IPS	3"	IPS	3.54	1.32	02-EBS-2204246*
42"	IPS	4"	IPS	3.54	2.65	02-EBS-2204328
42"	IPS	6"	IPS	5.91	5.07	02-EBS-2204247
42"	IPS	8"	IPS	5.91	9.92	02-EBS-2204248
48"	IPS	3"	IPS	3.54	1.32	02-EBS-2204249
48"	IPS	4"	IPS	3.54	2.65	02-EBS-2204250
48"	IPS	6"	IPS	5.91	5.07	02-EBS-2204479
48"	IPS	8"	IPS	5.91	9.92	02-EBS-2204481
54"	IPS	3"	IPS	3.54	1.32	02-EBS-2204482*
54"	IPS	4"	IPS	3.54	2.65	02-EBS-2204254*
54"	IPS	6"	IPS	5.91	5.07	02-EBS-2204350
54"	IPS	8"	IPS	5.91	9.92	02-EBS-1810094
63"	IPS	3"	IPS	3.54	1.32	02-EBS-2204485*
63"	IPS	4"	IPS	3.54	2.65	02-EBS-2204256*
63"	IPS	6"	IPS	5.91	5.07	02-EBS-2204487
63"	IPS	8"	IPS	5.91	9.92	02-EBS-2204489
4"	DIPS	4"	DIPS	3.54	2.65	02-EBS-2204910
6"	DIPS	4"	DIPS	3.54	2.65	02-EBS-2204490
8"	DIPS	4"	DIPS	3.54	2.65	02-EBS-2204491
8"	DIPS	6"	DIPS	5.91	5.07	02-EBS-2204492
10"	DIPS	4"	DIPS	3.54	2.65	02-EBS-2204493
10"	DIPS	6"	DIPS	5.91	5.07	02-EBS-2204494
10"	DIPS	8"	DIPS	5.71	19.84	02-EBS-2204495
12"	DIPS	4"	DIPS	3.54	2.65	02-EBS-2204496
12"	DIPS	6"	DIPS	5.91	5.07	02-EBS-2204497
12"	DIPS	8"	DIPS	5.71	18.74	02-EBS-2204498
14"	DIPS	4"	DIPS	3.54	2.65	02-EBS-2204499
14"	DIPS	6"	DIPS	5.91	5.07	02-EBS-2204510



SDR 11 LARGE BRANCH SADDLES

Fusibility Range - Pipe Series SDR 7 to SDR 32.5
 Water - 240 PSI at 73° F Sustainable Maximum Operating Pressure
 Gas - 125 PSI at 73° F Sustainable Maximum Operating Pressure

- Suitable for Water, Fluids & Slurries
- Engineered for PE3408, PE4710 & PE100 HDPE Pipe Systems



Manufactured in accordance with: ASTM F714-22, ASTM F1055-22, ASTM D2513-20, ASTM D3035-22, ASTM D3261-16, ASTM D3350-21, AWWA C901-20, AWWA C906-15, DIN 16963, BS EN 1555, BS EN 12201, NSF/ANSI/CAN 61-2022, and ISO-9001 Certified

Nominal Base Size (D)	Base Norm	Nominal Outlet Size (d)	Outlet Norm	(L)	Weight (lbs.)	Part Number
14"	DIPS	8"	DIPS	5.71	18.74	02-EBS-2204511
16"	DIPS	4"	DIPS	3.54	2.65	02-EBS-2204512
16"	DIPS	6"	DIPS	5.91	5.07	02-EBS-2204513
16"	DIPS	8"	DIPS	5.71	18.74	02-EBS-2204514
18"	DIPS	4"	DIPS	3.54	2.65	02-EBS-2204515
18"	DIPS	6"	DIPS	5.91	5.07	02-EBS-2204516
18"	DIPS	8"	DIPS	5.71	18.74	02-EBS-2204517
20"	DIPS	4"	DIPS	3.54	2.65	02-EBS-2204518
20"	DIPS	6"	DIPS	5.91	5.07	02-EBS-2204519
20"	DIPS	8"	DIPS	5.71	18.74	02-EBS-2204520
24"	DIPS	4"	DIPS	3.54	2.65	02-EBS-2204521
24"	DIPS	6"	DIPS	5.91	5.07	02-EBS-2204522
24"	DIPS	8"	DIPS	5.71	18.74	02-EBS-2204523
30"	DIPS	4"	DIPS	3.54	2.65	02-EBS-2204524
30"	DIPS	6"	DIPS	5.91	5.07	02-EBS-2204525
30"	DIPS	8"	DIPS	5.71	18.74	02-EBS-2204526
36"	DIPS	4"	DIPS	3.54	2.65	02-EBS-2204527*
36"	DIPS	6"	DIPS	5.91	5.07	02-EBS-2204528
36"	DIPS	8"	DIPS	5.71	18.74	02-EBS-2204529
42"	DIPS	4"	DIPS	3.54	2.65	02-EBS-2204530
42"	DIPS	6"	DIPS	5.91	5.07	02-EBS-2204531*
42"	DIPS	8"	DIPS	5.71	18.74	02-EBS-2204532*
48"	DIPS	4"	DIPS	3.54	2.65	02-EBS-2204533*
48"	DIPS	6"	DIPS	5.91	5.07	02-EBS-2204534*
48"	DIPS	8"	DIPS	5.71	18.74	02-EBS-2204535*



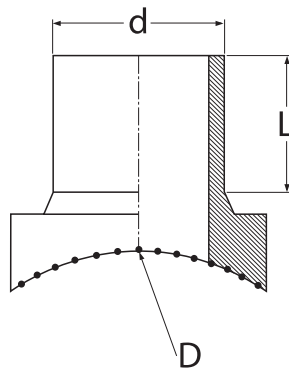
SDR 17 LARGE BRANCH SADDLES

Fusibility Range - Pipe Series SDR 7 to SDR 32.5
 Water 160 PSI at 73° F Sustainable Maximum Operating Pressure
 Gas 90 PSI at 73° F Sustainable Maximum Operating Pressure

- Suitable for Water, Fluids & Slurries
- Engineered for PE3408, PE4710 & PE100 HDPE Pipe Systems



Manufactured in accordance with: ASTM F714-22, ASTM F1055-22, ASTM D2513-20, ASTM D3035-22, ASTM D3261-16, ASTM D3350-21, AWWA C901-20, AWWA C906-15, DIN 16963, BS EN 1555, BS EN 12201, NSF/ANSI/CAN 61-2022, and ISO-9001 Certified



Nominal Base Size (D)	Base Norm	Nominal Outlet Size (d)	Outlet Norm	(L)	Weight (lbs.)	Part Number
10"	IPS	10"	IPS	6.70	18.74	02-EBS-2204011
12"	IPS	10"	IPS	6.70	18.74	02-EBS-2204012
12"	IPS	12"	IPS	6.70	18.74	02-EBS-2204013*
14"	IPS	10"	IPS	6.70	18.74	02-EBS-2204159
14"	IPS	12"	IPS	6.70	33.07	02-EBS-2204364*
16"	IPS	10"	IPS	6.70	18.74	02-EBS-2204017
16"	IPS	12"	IPS	6.70	33.07	02-EBS-2204019*
16"	IPS	14"	IPS	6.70	33.07	02-EBS-2204020
18"	IPS	10"	IPS	6.70	18.74	02-EBS-2204025
18"	IPS	12"	IPS	6.70	33.07	02-EBS-2204026*
18"	IPS	14"	IPS	6.70	33.07	02-EBS-2204794*
18"	IPS	16"	IPS	8.46	92.60	02-EBS-2206018*
20"	IPS	10"	IPS	6.70	18.74	02-EBS-2204027
20"	IPS	12"	IPS	6.70	33.07	02-EBS-2204028*
20"	IPS	14"	IPS	6.70	33.07	02-EBS-2204366*
20"	IPS	16"	IPS	8.46	92.60	02-EBS-2204367*
20"	IPS	18"	IPS	8.46	92.60	02-EBS-2201403*
22"	IPS	10"	IPS	6.70	18.74	02-EBS-2204368
22"	IPS	12"	IPS	6.70	33.07	02-EBS-2204031*
22"	IPS	14"	IPS	6.70	33.07	02-EBS-2204369*
22"	IPS	16"	IPS	8.46	92.60	02-EBS-2204370*



SDR 17 LARGE BRANCH SADDLES

Fusibility Range - Pipe Series SDR 7 to SDR 32.5
 Water 160 PSI at 73° F Sustainable Maximum Operating Pressure
 Gas 90 PSI at 73° F Sustainable Maximum Operating Pressure

- Suitable for Water, Fluids & Slurries
- Engineered for PE3408, PE4710 & PE100 HDPE Pipe Systems



Manufactured in accordance with: ASTM F714-22, ASTM F1055-22, ASTM D2513-20, ASTM D3035-22, ASTM D3261-16, ASTM D3350-21, AWWA C901-20, AWWA C906-15, DIN 16963, BS EN 1555, BS EN 12201, NSF/ANSI/CAN 61-2022, and ISO-9001 Certified

Nominal Base Size (D)	Base Norm	Nominal Outlet Size (d)	Outlet Norm	(L)	Weight (lbs.)	Part Number
22"	IPS	18"	IPS	8.46	92.60	02-EBS-2204372*
22"	IPS	20"	IPS	8.46	92.60	02-EBS-2201404*
24"	IPS	10"	IPS	6.70	18.74	02-EBS-2204002
24"	IPS	12"	IPS	6.70	33.07	02-EBS-2204032*
24"	IPS	14"	IPS	6.70	33.07	02-EBS-2204033*
24"	IPS	16"	IPS	8.46	92.60	02-EBS-2204005*
24"	IPS	18"	IPS	8.46	92.60	02-EBS-2204376*
24"	IPS	20"	IPS	8.46	92.60	02-EBS-2201405*
26"	IPS	10"	IPS	6.70	18.74	02-EBS-2204035
26"	IPS	12"	IPS	6.70	33.07	02-EBS-2201406*
26"	IPS	14"	IPS	6.70	33.07	02-EBS-2201407*
26"	IPS	16"	IPS	8.46	92.60	02-EBS-2201408*
26"	IPS	18"	IPS	8.46	92.60	02-EBS-2201409
26"	IPS	20"	IPS	8.46	92.60	02-EBS-2201410*
28"	IPS	10"	IPS	6.70	18.74	02-EBS-2204782
28"	IPS	12"	IPS	6.70	33.07	02-EBS-2204036*
28"	IPS	14"	IPS	6.70	33.07	02-EBS-2201411
28"	IPS	16"	IPS	8.46	92.60	02-EBS-2201412*
28"	IPS	18"	IPS	8.46	92.60	02-EBS-2204839*
28"	IPS	20"	IPS	8.46	92.60	02-EBS-2201413*
30"	IPS	10"	IPS	6.70	18.74	02-EBS-2204337
30"	IPS	12"	IPS	6.70	33.07	02-EBS-2204038*
30"	IPS	14"	IPS	6.70	33.07	02-EBS-2204377*
30"	IPS	16"	IPS	8.46	92.60	02-EBS-2204378*
30"	IPS	18"	IPS	8.46	92.60	02-EBS-2204379*
30"	IPS	20"	IPS	8.46	92.60	02-EBS-2204380*
32"	IPS	10"	IPS	6.70	18.74	02-EBS-2204381
32"	IPS	12"	IPS	6.70	33.07	02-EBS-2204784*
32"	IPS	14"	IPS	6.70	33.07	02-EBS-2204382*
32"	IPS	16"	IPS	8.46	92.60	02-EBS-2204383*
32"	IPS	18"	IPS	8.46	92.60	02-EBS-2204384*
32"	IPS	20"	IPS	8.46	92.60	02-EBS-2204004*
36"	IPS	10"	IPS	6.70	18.74	02-EBS-2204385



SDR 17 LARGE BRANCH SADDLES

Fusibility Range - Pipe Series SDR 7 to SDR 32.5
 Water 160 PSI at 73° F Sustainable Maximum Operating Pressure
 Gas 90 PSI at 73° F Sustainable Maximum Operating Pressure

- Suitable for Water, Fluids & Slurries
- Engineered for PE3408, PE4710 & PE100 HDPE Pipe Systems



Manufactured in accordance with: ASTM F714-22, ASTM F1055-22, ASTM D2513-20, ASTM D3035-22, ASTM D3261-16, ASTM D3350-21, AWWA C901-20, AWWA C906-15, DIN 16963, BS EN 1555, BS EN 12201, NSF/ANSI/CAN 61-2022, and ISO-9001 Certified

Nominal Base Size (D)	Base Norm	Nominal Outlet Size (d)	Outlet Norm	(L)	Weight (lbs.)	Part Number
36"	IPS	12"	IPS	6.70	33.07	02-EBS-2204044*
36"	IPS	14"	IPS	6.70	33.07	02-EBS-2204386*
36"	IPS	16"	IPS	8.46	92.60	02-EBS-2204387*
36"	IPS	18"	IPS	8.46	92.60	02-EBS-2204388*
36"	IPS	20"	IPS	8.46	92.60	02-EBS-2204389*
42"	IPS	10"	IPS	6.70	18.74	02-EBS-1812111
42"	IPS	12"	IPS	6.70	33.07	02-EBS-2204764*
42"	IPS	14"	IPS	6.70	33.07	02-EBS-2204390*
42"	IPS	16"	IPS	8.46	92.60	02-EBS-2204391*
42"	IPS	18"	IPS	8.46	92.60	02-EBS-2204392*
42"	IPS	20"	IPS	8.46	92.60	02-EBS-2204393*
48"	IPS	10"	IPS	6.70	18.74	02-EBS-2204786
48"	IPS	12"	IPS	6.70	33.07	02-EBS-2204045*
48"	IPS	14"	IPS	6.70	33.07	02-EBS-2204394*
48"	IPS	16"	IPS	8.46	92.60	02-EBS-2204395*
48"	IPS	18"	IPS	8.46	92.60	02-EBS-1812124*
48"	IPS	20"	IPS	8.46	92.60	02-EBS-2204396*
54"	IPS	10"	IPS	6.70	18.74	02-EBS-2204046
54"	IPS	12"	IPS	6.70	33.07	02-EBS-2204397*
54"	IPS	14"	IPS	6.70	33.07	02-EBS-2204398*
54"	IPS	16"	IPS	8.46	92.60	02-EBS-2204399*
54"	IPS	18"	IPS	8.46	92.60	02-EBS-2204400*
54"	IPS	20"	IPS	8.46	92.60	02-EBS-2204401*
63"	IPS	10"	IPS	6.70	18.74	02-EBS-2204402
63"	IPS	12"	IPS	6.70	33.07	02-EBS-2204403*
63"	IPS	14"	IPS	6.70	33.07	02-EBS-2204404*
63"	IPS	16"	IPS	8.46	92.60	02-EBS-2204405*
63"	IPS	18"	IPS	8.46	92.60	02-EBS-2204406*
63"	IPS	20"	IPS	8.46	92.60	02-EBS-2204407*
12"	DIPS	10"	DIPS	6.70	18.74	02-EBS-2204417
14"	DIPS	10"	DIPS	6.70	18.74	02-EBS-2204016
14"	DIPS	12"	DIPS	6.70	33.07	02-EBS-2204418*
16"	DIPS	10"	DIPS	6.70	18.74	02-EBS-2204023



SDR 17 LARGE BRANCH SADDLES

Fusibility Range - Pipe Series SDR 7 to SDR 32.5
 Water 160 PSI at 73° F Sustainable Maximum Operating Pressure
 Gas 90 PSI at 73° F Sustainable Maximum Operating Pressure

- Suitable for Water, Fluids & Slurries
- Engineered for PE3408, PE4710 & PE100 HDPE Pipe Systems



Manufactured in accordance with: ASTM F714-22, ASTM F1055-22, ASTM D2513-20, ASTM D3035-22, ASTM D3261-16, ASTM D3350-21, AWWA C901-20, AWWA C906-15, DIN 16963, BS EN 1555, BS EN 12201, NSF/ANSI/CAN 61-2022, and ISO-9001 Certified

Nominal Base Size (D)	Base Norm	Nominal Outlet Size (d)	Outlet Norm	(L)	Weight (lbs.)	Part Number
16"	DIPS	12"	DIPS	6.70	33.07	02-EBS-2204021*
16"	DIPS	14"	DIPS	8.46	92.60	02-EBS-2201414*
18"	DIPS	10"	DIPS	6.70	18.74	02-EBS-2204419
18"	DIPS	12"	DIPS	6.70	33.07	02-EBS-2204420*
18"	DIPS	14"	DIPS	8.46	92.60	02-EBS-2201415*
18"	DIPS	16"	DIPS	8.46	92.60	02-EBS-2201416*
20"	DIPS	10"	DIPS	6.70	18.74	02-EBS-2204421
20"	DIPS	12"	DIPS	6.70	33.07	02-EBS-2204030*
20"	DIPS	14"	DIPS	8.46	92.60	02-EBS-2204422*
20"	DIPS	16"	DIPS	8.46	92.60	02-EBS-2204423*
24"	DIPS	10"	DIPS	6.70	18.74	02-EBS-2204424
24"	DIPS	12"	DIPS	6.70	33.07	02-EBS-2204034*
24"	DIPS	14"	DIPS	8.46	92.60	02-EBS-2204425*
24"	DIPS	16"	DIPS	8.46	92.60	02-EBS-2204426*
24"	DIPS	18"	DIPS	8.46	92.60	02-EBS-2204427*
30"	DIPS	10"	DIPS	6.70	18.74	02-EBS-2204428
30"	DIPS	12"	DIPS	6.70	33.07	02-EBS-2204429*
30"	DIPS	14"	DIPS	8.46	92.60	02-EBS-2204430*
30"	DIPS	16"	DIPS	8.46	92.60	02-EBS-2204431*
30"	DIPS	18"	DIPS	8.46	92.60	02-EBS-2204432*
36"	DIPS	10"	DIPS	6.70	18.74	02-EBS-2204433
36"	DIPS	12"	DIPS	6.70	33.07	02-EBS-2204434*
36"	DIPS	14"	DIPS	8.46	92.60	02-EBS-2204435*
36"	DIPS	16"	DIPS	8.46	92.60	02-EBS-2204436*
36"	DIPS	18"	DIPS	8.46	92.60	02-EBS-2204437*
42"	DIPS	10"	DIPS	6.70	18.74	02-EBS-2204438
42"	DIPS	12"	DIPS	6.70	33.07	02-EBS-2204439*
42"	DIPS	14"	DIPS	8.46	92.60	02-EBS-2204440*
42"	DIPS	16"	DIPS	8.46	92.60	02-EBS-2204441*
42"	DIPS	18"	DIPS	8.46	92.60	02-EBS-2204442*
48"	DIPS	10"	DIPS	6.70	18.74	02-EBS-2204443
48"	DIPS	12"	DIPS	6.70	33.07	02-EBS-2204444*
48"	DIPS	14"	DIPS	8.46	92.60	02-EBS-2204445*



SDR 17 LARGE BRANCH SADDLES

Fusibility Range - Pipe Series SDR 7 to SDR 32.5
 Water 160 PSI at 73° F Sustainable Maximum Operating Pressure
 Gas 90 PSI at 73° F Sustainable Maximum Operating Pressure

- Suitable for Water, Fluids & Slurries
- Engineered for PE3408, PE4710 & PE100 HDPE Pipe Systems



Manufactured in accordance with: ASTM F714-22, ASTM F1055-22, ASTM D2513-20, ASTM D3035-22, ASTM D3261-16, ASTM D3350-21, AWWA C901-20, AWWA C906-15, DIN 16963, BS EN 1555, BS EN 12201, NSF/ANSI/CAN 61-2022, and ISO-9001 Certified

Nominal Base Size (D)	Base Norm	Nominal Outlet Size (d)	Outlet Norm	(L)	Weight (lbs.)	Part Number
48"	DIPS	16"	DIPS	8.46	92.60	02-EBS-2204446 *
48"	DIPS	18"	DIPS	8.46	92.60	02-EBS-2204447 *



SDR 11 BRASS THREADED OUTLET SADDLES

Fusibility Range - Pipe Series SDR 7 to SDR 17
 Water - 200 PSI at 73° F Sustainable Maximum Operating Pressure
 Gas - 125 PSI at 73° F Sustainable Maximum Operating Pressure

- Suitable for Water, Fluids & Slurries
- Engineered for PE3408, PE4710 & PE100 HDPE Pipe Systems



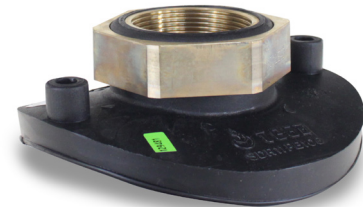
Manufactured in accordance with: ASTM F714-22, ASTM F1055-22, ASTM D2513-20, ASTM D3035-22, ASTM D3261-16, ASTM D3350-21, AWWA C901-20, AWWA C906-15, DIN 16963, BS EN 1555, BS EN 12201, NSF/ANSI/CAN 61-2022, and ISO-9001 Certified



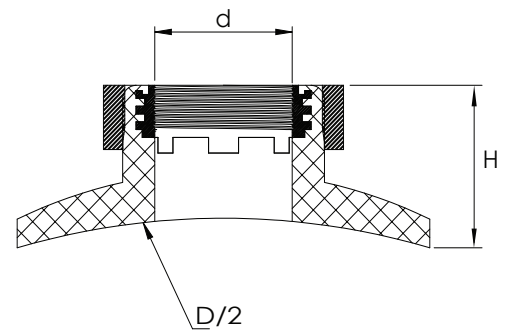
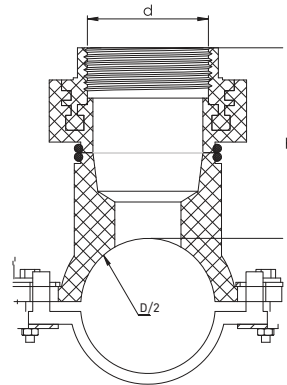
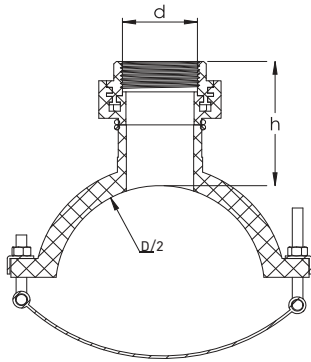
TYPE A



TYPE B



TYPE C



Nominal Base Size (D)	Actual Base Size (D/2)	Base Norm	Nominal Outlet Size	Actual Outlet Size (d)	Outlet Norm	(H)	Weight (lbs.)	Type	Part Number
2"	1.19	IPS	2"	2.37	IPS	0.78	1.65	B	02-ECS-2204281
3"	1.75	IPS	2"	2.37	IPS	0.78	1.65	B	02-ECS-2204282
4"	2.25	IPS	2"	2.37	IPS	0.78	1.80	B	02-ECS-2204283
6"	3.31	IPS	2"	2.37	IPS	0.78	2.30	B	02-ECS-2204284
8"	4.31	IPS	2"	2.37	IPS	0.78	2.30	B	02-ECS-2204285
10"	5.38	IPS	2"	2.37	IPS	0.78	1.62	C	02-ECS-2204286
12"	6.37	IPS	2"	2.37	IPS	0.78	1.60	C	02-ECS-2204287
14"	7.00	IPS	2"	2.37	IPS	0.78	1.60	C	02-ECS-2204343
16"	8.00	IPS	2"	2.37	IPS	0.78	1.60	C	02-ECS-2204344
18"	9.00	IPS	2"	2.37	IPS	0.78	1.56	C	02-ECS-2204345
20"	10.00	IPS	2"	2.37	IPS	0.78	1.56	C	02-ECS-2204346



SDR 11 BRASS THREADED OUTLET SADDLES

Fusibility Range - Pipe Series SDR 7 to SDR 17
 Water - 200 PSI at 73° F Sustainable Maximum Operating Pressure
 Gas - 125 PSI at 73° F Sustainable Maximum Operating Pressure

- Suitable for Water, Fluids & Slurries
- Engineered for PE3408, PE4710 & PE100 HDPE Pipe Systems



Manufactured in accordance with: ASTM F714-22, ASTM F1055-22, ASTM D2513-20, ASTM D3035-22, ASTM D3261-16, ASTM D3350-21, AWWA C901-20, AWWA C906-15, DIN 16963, BS EN 1555, BS EN 12201, NSF/ANSI/CAN 61-2022, and ISO-9001 Certified

Nominal Base Size (D)	Actual Base Size (D/2)	Base Norm	Nominal Outlet Size	Actual Outlet Size (d)	Outlet Norm	(H)	Weight (lbs.)	Type	Part Number
22"	11.00	IPS	2"	2.37	IPS	0.78	1.56	C	02-ECS-2204347
24"	12.00	IPS	2"	2.37	IPS	0.78	1.54	C	02-ECS-2204741

SDR 11 EQUAL TEES

Fusibility Range - Pipe Series SDR 11 to SDR 17
 Water - 240 PSI at 73° F Sustainable Maximum Operating Pressure
 Gas - 125 PSI at 73° F Sustainable Maximum Operating Pressure

- Suitable for Water, Fluids & Slurries
- Engineered for PE3408, PE4710 & PE100 HDPE Pipe Systems



Manufactured in accordance with: ASTM F714-22, ASTM F1055-22, ASTM D2513-20, ASTM D3035-22, ASTM D3261-16, ASTM D3350-21, AWWA C901-20, AWWA C906-15, DIN 16963, BS EN 1555, BS EN 12201, NSF/ANSI/CAN 61-2022, and ISO-9001 Certified



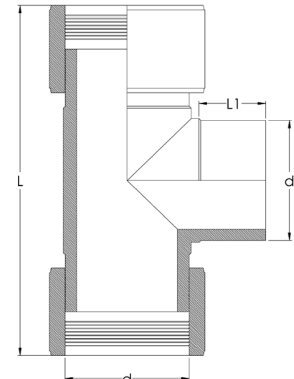
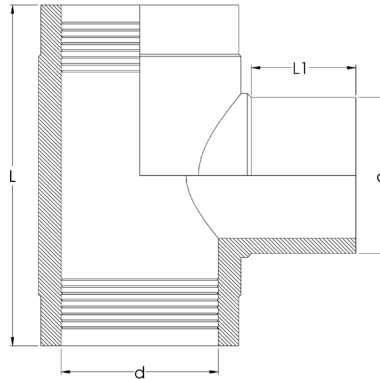
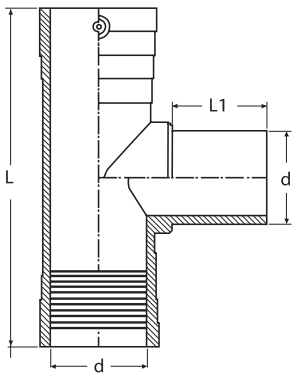
TYPE A



TYPE B



TYPE C



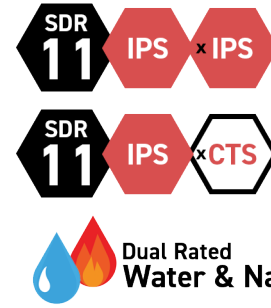
Nominal Size	Actual Size (d)	Norm	(L)	(L1)	Weight (lbs.)	Type	Part Number
3/4"	1.05	IPS	4.25	1.46	1.59	A	02-EET-2207004
1"	1.13	CTS	5.04	1.61	0.29	A	02-EET-2207005
1"	1.31	IPS	5.04	1.61	0.29	A	02-EET-2207006
1 1/4"	1.66	IPS	6.38	1.93	0.37	A	02-EET-2207007
1 1/2"	1.90	IPS	6.38	1.93	0.68	A	02-EET-2207008
2"	2.37	IPS	7.32	2.40	1.26	A	02-EET-2207010
3"	3.50	IPS	10.04	2.91	3.26	A	02-EET-2207011
4"	4.50	IPS	11.93	3.11	5.86	A	02-EET-2207013
6"	6.63	IPS	19.00	4.75	11.46	B	02-EET-2207016
8"	8.63	IPS	19.00	5.20	36.15	C	02-EET-2207015*



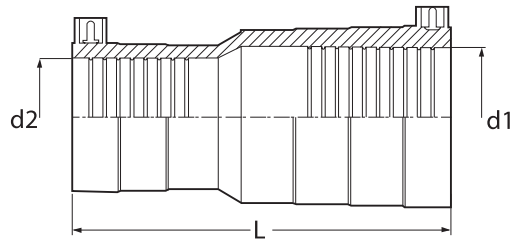
SDR 11 REDUCERS

Fusibility Range - Pipe Series SDR 11 to SDR 17
 Water - 240 PSI at 73° F Sustainable Maximum Operating Pressure
 Gas - 100 PSI at 73° F Sustainable Maximum Operating Pressure

- Suitable for Water, Fluids & Slurries
- Engineered for PE3408, PE4710 & PE100 HDPE Pipe Systems



Manufactured in accordance with: ASTM F714-22, ASTM F1055-22, ASTM D2513-20, ASTM D3035-22, ASTM D3261-16, ASTM D3350-21, AWWA C901-20, AWWA C906-15, DIN 16963, BS EN 1555, BS EN 12201, NSF/ANSI/CAN 61-2022, and ISO-9001 Certified



Nominal Size	Actual Size (d1 x d2)	Norm	(L)	Weight (lbs.)	Part Number
1" IPS X 1/2" IPS	1.31 x 0.84	IPS x IPS	3.54	0.09	02-EFR-2208008
1" IPS X 3/4" CTS	1.31 x 0.87	IPS x CTS	3.54	0.11	02-EFR-2208035
1" IPS X 3/4" IPS	1.31 x 1.05	IPS x IPS	3.54	0.09	02-EFR-2208010
1 1/4" IPS X 1" IPS	1.66 x 1.31	IPS x IPS	4.61	0.20	02-EFR-2208012
1 1/2" IPS X 1" IPS	1.90 x 1.31	IPS x IPS	5.16	0.33	02-EFR-2208014
2" IPS X 1" IPS	2.37 x 1.31	IPS x IPS	5.59	0.49	02-EFR-2208019
2" IPS X 1 1/4" IPS	2.37 x 1.66	IPS x IPS	5.47	0.53	02-EFR-2208020
2" IPS X 1 1/2" IPS	2.37 x 1.90	IPS x IPS	5.98	0.57	02-EFR-2208021
3" IPS X 2" IPS	3.50 x 2.37	IPS x IPS	7.48	1.28	02-EFR-2208023
4" IPS X 2" IPS	4.50 x 2.37	IPS x IPS	8.23	1.94	02-EFR-2208024
4" IPS X 3" IPS	4.50 x 3.50	IPS x IPS	8.46	2.40	02-EFR-2208025

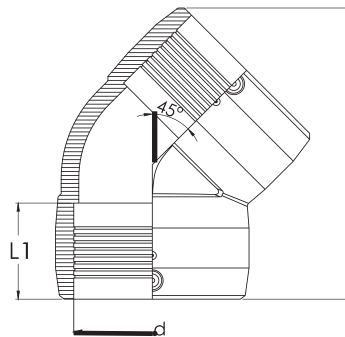
SDR 11 45° ELBOWS

Fusibility Range - Pipe Series SDR 11 to SDR 17
 Water - 240 PSI at 73° F Sustainable Maximum Operating Pressure
 Gas - 125 PSI at 73° F Sustainable Maximum Operating Pressure

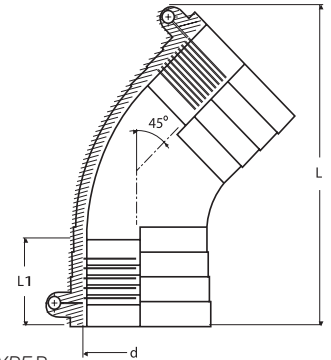
- Suitable for Water, Fluids & Slurries
- Engineered for PE3408, PE4710 & PE100 HDPE Pipe Systems



Manufactured in accordance with: ASTM F714-22, ASTM F1055-22, ASTM D2513-20, ASTM D3035-22, ASTM D3261-16, ASTM D3350-21, AWWA C901-20, AWWA C906-15, DIN 16963, BS EN 1555, BS EN 12201, NSF/ANSI/CAN 61-2022, and ISO-9001 Certified



TYPE A



TYPE B

Nominal Size	Actual Size (d)	Norm	(L)	(L1)	Weight (lbs.)	Type	Part Number
3/4"	1.05	IPS	4.17	1.50	0.13	A	02-EFE-2209011
1"	1.13	CTS	4.57	1.61	0.18	A	02-EFE-2209012
1"	1.31	IPS	4.57	1.61	0.18	A	02-EFE-2209013
1 1/4"	1.66	IPS	5.47	1.85	0.29	A	02-EFE-2209014
1 1/2"	1.90	IPS	6.54	2.01	0.51	A	02-EFE-2209015
2"	2.37	IPS	7.76	2.28	0.88	A	02-EFE-2209016
3"	3.50	IPS	9.53	2.83	2.07	A	02-EFE-2209017
4"	4.50	IPS	11.89	3.23	5.71	A	02-EFE-2209018
6"	6.63	IPS	17.14	4.75	4.00	B	02-EFE-2209020
8"	8.26	IPS	17.72	4.92	27.00	A	02-EFE-2209024

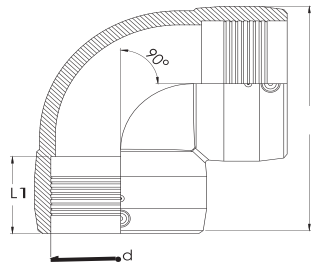
SDR 11 90° ELBOWS

Fusibility Range - Pipe Series SDR 11 to SDR 17
 Water - 240 PSI at 73° F Sustainable Maximum Operating Pressure
 Gas - 125 PSI at 73° F Sustainable Maximum Operating Pressure

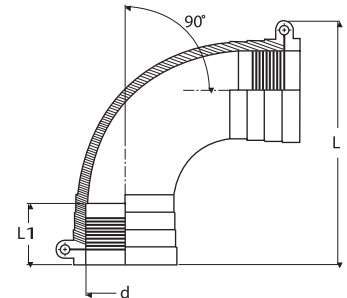
- Suitable for Water, Fluids & Slurries
- Engineered for PE3408, PE4710 & PE100 HDPE Pipe Systems



Manufactured in accordance with: ASTM F714-22, ASTM F1055-22, ASTM D2513-20, ASTM D3035-22, ASTM D3261-16, ASTM D3350-21, AWWA C901-20, AWWA C906-15, DIN 16963, BS EN 1555, BS EN 12201, NSF/ANSI/CAN 61-2022, and ISO-9001 Certified



TYPE A



TYPE B

Nominal Size	Actual Size (d)	Norm	(L)	(L1)	Weight (lbs.)	Type	Part Number
3/4"	1.05	IPS	3.86	1.50	0.15	A	02-EFX-2209000
1"	1.13	CTS	4.29	1.61	0.31	A	02-EFX-2209002
1"	1.31	IPS	4.29	1.61	0.22	A	02-EFX-2209003
1 1/4"	1.66	IPS	5.16	1.85	0.37	A	02-EFX-2209004
1 1/2"	1.90	IPS	6.10	2.01	0.62	A	02-EFX-2209005
2"	2.37	IPS	7.44	1.89	1.15	A	02-EFX-2209006
3"	3.50	IPS	9.53	2.76	2.45	A	02-EFX-2209007
4"	4.50	IPS	11.69	3.23	6.61	A	02-EFX-2209008
6"	6.63	IPS	17.14	4.75	5.50	B	02-EFX-2209009
8"	8.26	IPS	17.22	4.92	37.00	A	02-EFX-2209023



FLEX RESTRAINTS

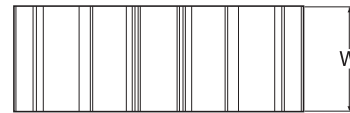
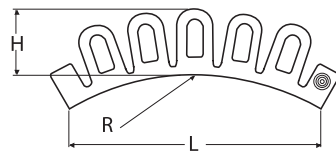
Fusibility Range

- From 6" IPS/DIPS to 12" IPS/DIPS (Pipe Series SDR 7 to SDR 17)
- From 14" IPS/DIPS to 63" IPS/DIPS (Pipe Series SDR 7 to SDR 32.5)

Axial resistance rated 9,500 lbs.



Manufactured in accordance with ASTM F714-22, ASTM F1055-22, ASTM D2513-20, ASTM D3035-22, NSF/ANSI/CAN 61-2022, and ISO-9001 Certified



Nominal Size	Actual Size (R)	(L)	(H)	(W)	Part Number
6" - 63"	6.63 - 63.0"	5.980	1.575	2.496	02-EFL-1825008



STANDARDS & CERTS REFERENCE CHART

ASTM - AWWA - DIN - BS EN - NSF - ISO

Logo	Standard Number	Standard Title	Link to Website
	ASTM F714-22	Standard Specification for Polyethylene (PE) Plastic Pipe (SDR-PR) Based on Outside Diameter	https://www.astm.org/f0714-22.html
	ASTM F1055-22	Standard Specification for Electrofusion Type Polyethylene Fittings for Outside Diameter Controlled Polyethylene and Crosslinked Polyethylene (PEX) Pipe and Tubing	https://www.astm.org/f1055-16ar22.html
	ASTM D-2513-20	Standard Specification for Polyethylene (PE) Gas Pressure Pipe, Tubing, and Fittings	https://www.astm.org/d2513-20.html
	ASTM D-3035-22	Standard Specification for Polyethylene (PE) Plastic Pipe (DR-PR) Based on Controlled Outside Diameter	https://www.astm.org/d3035-22.html
	ASTM D-3261-16	Standard Specification for Butt Heat Fusion Polyethylene (PE) Plastic Fittings for Polyethylene (PE) Plastic Pipe and Tubing	https://www.astm.org/d3261-16.html
	ASTM D-3350-21	Standard Specification for Polyethylene Plastics Pipe and Fittings Materials	https://www.astm.org/d3350-21.html
	AWWA C901-20	Polyethylene (PE) Pressure Pipe and Tubing, 1/2 in. (13 mm) Through 3 in. (76 mm), for Water Service	https://engage.awwa.org/PersonifyEbusiness/Bookstore/Product-Details/productId/86488411
	AWWA C906-15	Polyethylene (PE) Pressure Pipe and Fittings, 4 in. Through 65 in. (100 mm Through 1,650 mm), for Waterworks	https://engage.awwa.org/PersonifyEbusiness/Bookstore/Product-Details/productId/29417
	DIN 16963	Pipe Joints and Elements for High-Density Polyethylene (HDPE) Pressure Pipelines, Types 1 and 2; Pipe Bends of Segmental Construction for Butt Welding; Dimensions	https://webstore.ansi.org/standards/din/din16963131980
	BS EN 1555	Plastics Piping Systems for the Supply of Gaseous Fuels and Water - Polyethylene (PE)	https://standardsdevelopment.bsigroup.com/projects/2019-01784#/section
	BS EN 12201	Plastics Piping Systems for the Supply of Gaseous Fuels and Water - Polyethylene (PE)	https://knowledge.bsigroup.com/products/plastics-piping-systems-for-water-supply-and-for-drainage-and-sewerage-under-pressure-polyethylene-pe-fitness-for-purpose-of-the-system-1/standard
	NSF/ANSI/CAN 61-2022	NSF/ANSI 61 - Drinking Water System Components - Health Effects	https://webstore.ansi.org/standards/nsf/nsfansi6120226002021?source=blog&_gl=1*28bcov*_gcl_au*MTY4MjI1NjQwMy4xNjkxMTY4NjA2
	ISO-9001 Certified	International Organization for Standardization - Quality Management Systems - Requirements	https://knowledge.bsigroup.com/products/quality-management-systems-requirements-1/tracked-changes

To learn more about how Strongbridge can help, contact us by phone, email or visit our website to check out our products and services.

STRONGBRIDGE



Strongbridge International LLC
Jacksonville, FL
T: (904) 278-7499
E: contact@strongbridge.us

www.strongbridge.us

Strongbridge International LLC is not responsible for error or omissions in the content of this document. The information in this document is for reference purposes only and is not to be relied upon or substitute engineering documentation. All information is provided "as is", with no guarantee of completeness or accuracy and is subject to change without notice.