

HDPE MOLDED FITTINGS CATALOG



STRONGBRIDGE

WWW.STRONGBRIDGE.US

Table of Contents

SDR 7 EQUAL TEES IPS	5
SDR 9 EQUAL TEES IPS	6
SDR 11 EQUAL TEES IPS	7
SDR 17 EQUAL TEES IPS	8
SDR 9 EQUAL TEES DIPS	9
SDR 11 EQUAL TEES DIPS	10
SDR 17 EQUAL TEES DIPS	11
SDR 7 REDUCING TEES IPS	12
SDR 9 REDUCING TEES IPS	13
SDR 11 REDUCING TEES IPS	14
SDR 11 REDUCING TEES DIPS	15
SDR 17 REDUCING TEES IPS	16
SDR 7 REDUCERS IPS	17
SDR 9 REDUCERS IPS	18
SDR 11 REDUCERS IPS	19
SDR 17 REDUCERS IPS	20
SDR 9 REDUCERS DIPS	21
SDR 11 REDUCERS DIPS	22
SDR 17 REDUCERS DIPS	23
SDR 7 90° ELBOWS IPS/DIPS	24
SDR 9 90° ELBOWS IPS/DIPS	25
SDR 11 90° ELBOWS IPS/DIPS	26
SDR 17 90° ELBOWS IPS/DIPS	27
SDR 7 45° ELBOWS IPS/DIPS	28
SDR 9 45° ELBOWS IPS/DIPS	29
SDR 11 45° ELBOWS IPS/DIPS	30
SDR 17 45° ELBOWS IPS/DIPS	31
SDR 9 END CAPS	32
SDR 11 END CAPS	33
SDR 17 END CAPS	34
SDR 7 FLANGE ADAPTERS IPS	35

Table of Contents

SDR 9 FLANGE ADAPTERS IPS/DIPS	37
SDR 11 FLANGE ADAPTERS IPS/DIPS	38
SDR 17 FLANGE ADAPTERS IPS/DIPS	40
SDR 9 MJ ADAPTERS DIPS/IPS	42
SDR 9 MJ ADAPTERS DIPS/DIPS	43
SDR 11 MJ ADAPTERS DIPS/IPS	44
SDR 11 MJ ADAPTERS DIPS/DIPS	45
SDR 9 MJ ADAPTERS DIPS/IPS (with stiffener)	46
SDR 9 MJ ADAPTERS DIPS/DIPS (with stiffener)	47
SDR 11 MJ ADAPTERS DIPS/IPS (with stiffener)	48
SDR 11 MJ ADAPTERS DIPS/DIPS (with stiffener)	49
C110 MJ ADAPTER ACCESSORY SET	50
C153 MJ ADAPTER ACCESSORY SET	51
SDR 11 LATERAL WYES	52
BACK-UP RINGS	53
STANDARDS & CERTS REFERENCE CHART	54

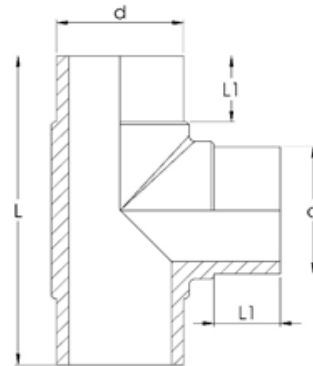
SDR 7 EQUAL TEES IPS

Water - 355 PSI at 73° F Sustainable Maximum Operating Pressure
 Gas - 125 PSI at 73° F Sustainable Maximum Operating Pressure

- Suitable for Water, Fluids & Slurries
- Engineered for PE100, PE80, PE4710, PE3408 HDPE Pipe Systems



Manufactured in accordance with: ASTM D2513-20, ASTM D3035-22, ASTM D3261-16, ASTM D3350-21, AWWA C906-15, NSF/ANSI/CAN 61-2022, and ISO-9001 Certified



Nominal Size	Actual Size (d)	Norm	(L1)	(L)	Weight (lbs.)	Part Number
2"	2.38	IPS	2.67	9.67	1.15	02-BET-2600051
3"	3.50	IPS	3.31	11.97	2.99	02-BET-2600052
4"	4.50	IPS	3.42	14.16	5.71	02-BET-2600053
6"	6.63	IPS	4.05	17.70	15.04	02-BET-2600054
8"	8.63	IPS	4.61	20.08	29.29	02-BET-2600055
10"	10.75	IPS	5.70	25.98	63.43	02-BET-2600056
12"	12.75	IPS	6.49	29.72	100.80	02-BET-2600057

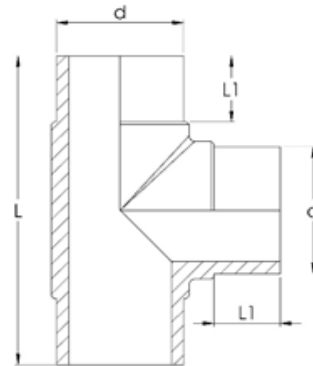
SDR 9 EQUAL TEES IPS

Water - 255 PSI at 73° F Sustainable Maximum Operating Pressure
 Gas - 125 PSI at 73° F Sustainable Maximum Operating Pressure

- Suitable for Water, Fluids & Slurries
- Engineered for PE100, PE80, PE4710, PE3408 HDPE Pipe Systems



Manufactured in accordance with: ASTM D2513-20, ASTM D3035-22, ASTM D3261-16, ASTM D3350-21, AWWA C906-15, NSF/ANSI/CAN 61-2022, and ISO-9001 Certified



Nominal Size	Actual Size (d)	Norm	(L1)	(L)	Weight (lbs.)	Part Number
2"	2.38	IPS	2.67	9.67	0.95	02-BET-2600027
3"	3.50	IPS	3.31	11.97	2.47	02-BET-2600028
4"	4.50	IPS	3.42	14.16	4.68	02-BET-2600029
6"	6.63	IPS	4.05	17.70	12.31	02-BET-2600030
8"	8.63	IPS	4.61	20.08	24.15	02-BET-2600031
10"	10.75	IPS	5.70	25.98	52.86	02-BET-2600032
12"	12.75	IPS	6.49	29.72	83.94	02-BET-2600033

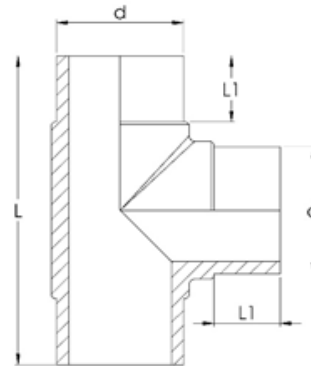
SDR 11 EQUAL TEES IPS

Water - 200 PSI at 73° F Sustainable Maximum Operating Pressure
 Gas - 100 PSI at 73° F Sustainable Maximum Operating Pressure

- Suitable for Water, Fluids & Slurries
- Engineered for PE100, PE80, PE4710, PE3408 HDPE Pipe Systems



Manufactured in accordance with: ASTM D2513-20, ASTM D3035-22, ASTM D3261-16, ASTM D3350-21, AWWA C906-15, NSF/ANSI/CAN 61-2022, and ISO-9001 Certified



Nominal Size	Actual Size (d)	Norm	(L1)	(L)	Weight (lbs.)	Part Number
2"	2.38	IPS	2.67	9.67	0.82	02-BET-2600001
3"	3.50	IPS	3.31	11.97	2.11	02-BET-2600002
4"	4.50	IPS	3.42	14.16	3.98	02-BET-2600003
6"	6.63	IPS	4.05	17.70	10.46	02-BET-2600004
8"	8.63	IPS	4.61	20.08	20.65	02-BET-2600005
10"	10.75	IPS	5.70	25.98	45.71	02-BET-2600006
12"	12.75	IPS	6.49	29.72	72.51	02-BET-2600007

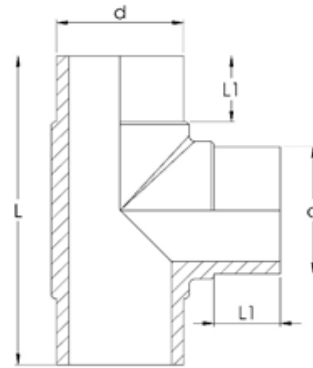
SDR 17 EQUAL TEES IPS

Water - 130 PSI at 73° F Sustainable Maximum Operating Pressure
 Gas - 64 PSI at 73° F Sustainable Maximum Operating Pressure

- Suitable for Water, Fluids & Slurries
- Engineered for PE100, PE80, PE4710, PE3408 HDPE Pipe Systems



Manufactured in accordance with: ASTM D2513-20, ASTM D3035-22, ASTM D3261-16, ASTM D3350-21, AWWA C906-15, NSF/ANSI/CAN 61-2022, and ISO-9001 Certified



Nominal Size	Actual Size (d)	Norm	(L1)	(L)	Weight (lbs.)	Part Number
2"	2.38	IPS	2.67	9.67	0.59	02-BET-2600013
3"	3.50	IPS	3.31	11.97	1.49	02-BET-2600014
4"	4.50	IPS	3.42	14.16	2.8	02-BET-2600015
6"	6.63	IPS	4.05	17.7	7.35	02-BET-2600016
8"	8.63	IPS	4.61	20.08	14.79	02-BET-2600017
10"	10.75	IPS	5.70	25.98	33.75	02-BET-2600018
12"	12.75	IPS	6.49	29.72	53.36	02-BET-2600019

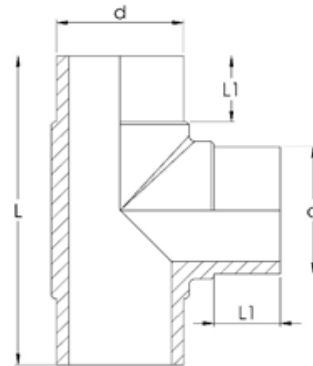
SDR 9 EQUAL TEES DIPS

Water - 255 PSI at 73° F Sustainable Maximum Operating Pressure
 Gas - 125 PSI at 73° F Sustainable Maximum Operating Pressure

- Suitable for Water, Fluids & Slurries
- Engineered for PE100, PE80, PE4710, PE3408 HDPE Pipe Systems



Manufactured in accordance with: ASTM D2513-20, ASTM D3035-22, ASTM D3261-16, ASTM D3350-21, AWWA C906-15, NSF/ANSI/CAN 61-2022, and ISO-9001 Certified



Nominal Size	Actual Size (d)	Norm	(L1)	(L)	Weight (lbs.)	Part Number
4"	4.80	DIPS	3.54	13.98	5.73	03-BET-2600034
6"	6.90	DIPS	3.03	16.54	14.38	03-BET-2600035

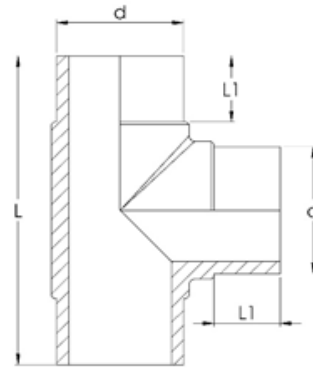
SDR 11 EQUAL TEES DIPS

Water - 200 PSI at 73° F Sustainable Maximum Operating Pressure
 Gas - 100 PSI at 73° F Sustainable Maximum Operating Pressure

- Suitable for Water, Fluids & Slurries
- Engineered for PE100, PE80, PE4710, PE3408 HDPE Pipe Systems



Manufactured in accordance with: ASTM D2513-20, ASTM D3035-22, ASTM D3261-16, ASTM D3350-21, AWWA C906-15, NSF/ANSI/CAN 61-2022, and ISO-9001 Certified



Nominal Size	Actual Size (d)	Norm	(L1)	(L)	Weight (lbs.)	Part Number
4"	4.80	DIPS	3.54	13.98	4.96	02-BET-2600008
6"	6.90	DIPS	3.03	16.54	12.56	02-BET-2600009
8"	9.05	DIPS	4.61	20.08	20.21	02-BET-2600010
10"	11.10	DIPS	5.70	25.98	44.72	02-BET-2600011
12"	13.20	DIPS	6.49	29.72	70.84	02-BET-2600012

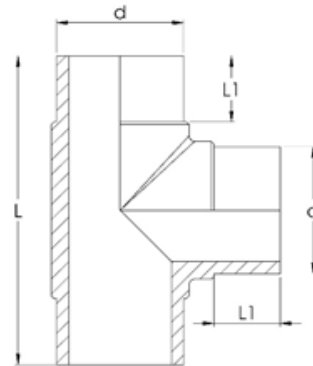
SDR 17 EQUAL TEES DIPS

Water - 130 PSI at 73° F Sustainable Maximum Operating Pressure
 Gas - 64 PSI at 73° F Sustainable Maximum Operating Pressure

- Suitable for Water, Fluids & Slurries
- Engineered for PE100, PE80, PE4710, PE3408 HDPE Pipe Systems



Manufactured in accordance with: ASTM D2513-20, ASTM D3035-22, ASTM D3261-16, ASTM D3350-21, AWWA C906-15, NSF/ANSI/CAN 61-2022, and ISO-9001 Certified



Nominal Size	Actual Size (d)	Norm	(L1)	(L)	Weight (lbs.)	Part Number
4"	4.80	DIPS	3.54	13.98	3.67	02-BET-2600024
6"	6.90	DIPS	3.03	16.54	9.40	02-BET-2600020
8"	9.05	DIPS	4.61	20.08	13.78	02-BET-2600021
10"	11.10	DIPS	5.70	25.98	32.04	02-BET-2600022
12"	13.20	DIPS	6.49	29.72	50.43	02-BET-2600023

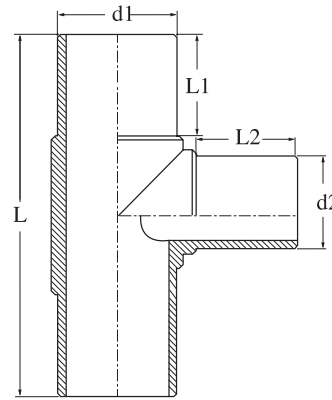
SDR 7 REDUCING TEES IPS

Water - 335 PSI at 73° F Sustainable Maximum Operating Pressure
 Gas - 100 PSI at 73° F Sustainable Maximum Operating Pressure

- Suitable for Water, Fluids & Slurries
- Engineered for PE100, PE80, PE4710, PE3408 HDPE Pipe Systems



Manufactured in accordance with: ASTM D2513-20, ASTM D3035-22, ASTM D3261-16, ASTM D3350-21, AWWA C906-15, NSF/ANSI/CAN 61-2022, and ISO-9001 Certified



Nominal Size	Actual Size (d1 x d2)	Norm	(L1)	(L2)	(L)	Weight (lbs.)	Part Number
3" x 2"	3.50 x 2.38	IPS	3.31	2.68	11.97	2.54	02-BRT-2601068
4" x 2"	4.50 x 2.38	IPS	3.43	2.68	14.16	4.63	02-BRT-2601069
4" x 3"	4.50 x 3.50	IPS	3.43	3.31	14.16	5.05	02-BRT-2601070
6" x 2"	6.63 x 2.38	IPS	4.06	2.68	17.70	12.04	02-BRT-2601071
6" x 3"	6.63 x 3.50	IPS	4.06	3.31	17.70	12.41	02-BRT-2601072
6" x 4"	6.63 x 4.50	IPS	4.06	3.43	17.70	13.00	02-BRT-2601073
8" x 2"	8.63 x 2.38	IPS	4.61	2.68	20.08	24.08	02-BRT-2601074
8" x 3"	8.63 x 3.50	IPS	4.61	3.31	20.08	24.39	02-BRT-2601075
8" x 4"	8.63 x 4.50	IPS	4.61	3.43	20.08	24.75	02-BRT-2601076
8" x 6"	8.63 x 6.63	IPS	4.61	4.06	20.08	26.24	02-BRT-2601077
10" x 4"	10.75 x 4.50	IPS	5.71	3.43	25.98	52.12	02-BRT-2601078
10" x 6"	10.75 x 6.63	IPS	5.71	4.06	25.98	53.72	02-BRT-2601079
10" x 8"	10.75 x 8.63	IPS	5.71	4.92	25.98	56.96	02-BRT-2601080
12" x 6"	12.75 x 6.63	IPS	6.50	4.06	29.72	87.68	02-BRT-2601081
12" x 8"	12.75 x 8.63	IPS	6.50	4.92	29.72	92.27	02-BRT-2601082
12" x 10"	12.75 x 10.75	IPS	6.50	5.71	29.72	97.51	02-BRT-2601083

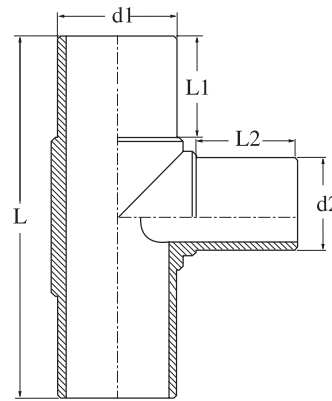
SDR 9 REDUCING TEES IPS

Water - 255 PSI at 73° F Sustainable Maximum Operating Pressure
 Gas - 100 PSI at 73° F Sustainable Maximum Operating Pressure

- Suitable for Water, Fluids & Slurries
- Engineered for PE100, PE80, PE4710, PE3408 HDPE Pipe Systems



Manufactured in accordance with: ASTM D2513-20, ASTM D3035-22, ASTM D3261-16, ASTM D3350-21, AWWA C906-15, NSF/ANSI/CAN 61-2022, and ISO-9001 Certified



Nominal Size	Actual Size (d1 x d2)	Norm	(L1)	(L2)	(L)	Weight (lbs.)	Part Number
3" x 2"	3.50 x 2.38	IPS	3.31	2.68	11.97	2.10	02-BRT-2601036
4" x 2"	4.50 x 2.38	IPS	3.43	2.68	14.16	3.82	02-BRT-2601037
4" x 3"	4.50 x 3.50	IPS	3.43	3.31	14.16	4.15	02-BRT-2601038
6" x 2"	6.63 x 2.38	IPS	4.06	2.68	17.70	9.93	02-BRT-2601039
6" x 3"	6.63 x 3.50	IPS	4.06	3.31	17.70	10.22	02-BRT-2601040
6" x 4"	6.63 x 4.50	IPS	4.06	3.43	17.70	10.68	02-BRT-2601041
8" x 2"	8.63 x 2.38	IPS	4.61	2.68	20.08	20.08	02-BRT-2601042
8" x 3"	8.63 x 3.50	IPS	4.61	3.31	20.08	20.31	02-BRT-2601043
8" x 4"	8.63 x 4.50	IPS	4.61	3.43	20.08	20.56	02-BRT-2601044
8" x 6"	8.63 x 6.63	IPS	4.61	4.06	20.08	21.70	02-BRT-2601045
10" x 4"	10.75 x 4.50	IPS	5.71	3.43	25.98	43.85	02-BRT-2601046
10" x 6"	10.75 x 6.63	IPS	5.71	4.06	25.98	45.02	02-BRT-2601047
10" x 8"	10.75 x 8.63	IPS	5.71	4.92	25.98	47.54	02-BRT-2601048
12" x 6"	12.75 x 6.63	IPS	6.50	4.06	29.72	74.19	02-BRT-2601049
12" x 8"	12.75 x 8.63	IPS	6.50	4.92	29.72	78.03	02-BRT-2601050
12" x 10"	12.75 x 10.75	IPS	6.50	5.71	29.72	82.16	02-BRT-2601051

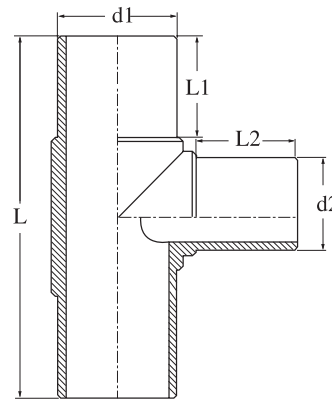
SDR 11 REDUCING TEES IPS

Water - 200 PSI at 73° F Sustainable Maximum Operating Pressure
 Gas - 100 PSI at 73° F Sustainable Maximum Operating Pressure

- Suitable for Water, Fluids & Slurries
- Engineered for PE100, PE80, PE4710, PE3408 HDPE Pipe Systems



Manufactured in accordance with: ASTM D2513-20, ASTM D3035-22, ASTM D3261-16, ASTM D3350-21, AWWA C906-15, NSF/ANSI/CAN 61-2022, and ISO-9001 Certified



Nominal Size	Actual Size (d1 x d2)	Norm	(L1)	(L2)	(L)	Weight (lbs.)	Part Number
3" x 2"	3.50 x 2.38	IPS	3.31	2.68	11.97	1.80	02-BRT-2601001
4" x 2"	4.50 x 2.38	IPS	3.43	2.68	14.16	3.26	02-BRT-2601002
4" x 3"	4.50 x 3.50	IPS	3.43	3.31	14.16	3.54	02-BRT-2601003
6" x 2"	6.63 x 2.38	IPS	4.06	2.68	17.70	8.48	02-BRT-2601004
6" x 3"	6.63 x 3.50	IPS	4.06	3.31	17.70	8.72	02-BRT-2601005
6" x 4"	6.63 x 4.50	IPS	4.06	3.43	17.70	9.10	02-BRT-2601006
8" x 2"	8.63 x 2.38	IPS	4.61	2.68	20.08	17.32	02-BRT-2601007
8" x 3"	8.63 x 3.50	IPS	4.61	3.31	20.08	17.50	02-BRT-2601008
8" x 4"	8.63 x 4.50	IPS	4.61	3.43	20.08	17.70	02-BRT-2601009
8" x 6"	8.63 x 6.63	IPS	4.61	4.06	20.08	18.60	02-BRT-2601010
10" x 4"	10.75 x 4.50	IPS	5.71	3.43	25.98	38.20	02-BRT-2601011
10" x 6"	10.75 x 6.63	IPS	5.71	4.06	25.98	39.11	02-BRT-2601012
10" x 8"	10.75 x 8.63	IPS	5.71	4.92	25.98	41.15	02-BRT-2601013
12" x 6"	12.75 x 6.63	IPS	6.50	4.06	29.72	64.98	02-BRT-2601014
12" x 8"	12.75 x 8.63	IPS	6.50	4.92	29.72	68.33	02-BRT-2601015
12" x 10"	12.75 x 10.75	IPS	6.50	5.71	29.72	71.74	02-BRT-2601031

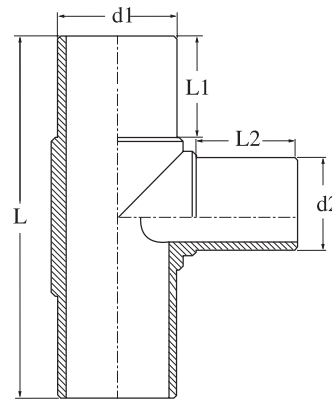
SDR 11 REDUCING TEES DIPS

Water - 200 PSI at 73° F Sustainable Maximum Operating Pressure
 Gas - 100 PSI at 73° F Sustainable Maximum Operating Pressure

- Suitable for Water, Fluids & Slurries
- Engineered for PE100, PE80, PE4710, PE3408 HDPE Pipe Systems



Manufactured in accordance with: ASTM D2513-20, ASTM D3035-22, ASTM D3261-16, ASTM D3350-21, AWWA C906-15, NSF/ANSI/CAN 61-2022, and ISO-9001 Certified



Nominal Size	Actual Size (d1 x d2)	Norm	(L1)	(L2)	(L)	Weight (lbs.)	Part Number
8" x 6"	9.05 x 6.90	DIPS	4.72	4.13	16.00	18.60	02-BRT-2601084

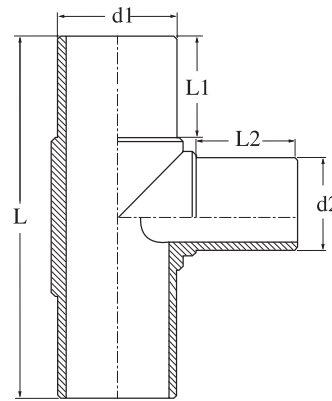
SDR 17 REDUCING TEES IPS

Water - 130 PSI at 73° Deg F Sustainable Maximum Operating Pressure
 Gas - 64 PSI at 73° Deg F Sustainable Maximum Operating Pressure

- Suitable for Water, Fluids & Slurries
- Engineered for PE100, PE80, PE4710, PE3408 HDPE Pipe Systems



Manufactured in accordance with: ASTM D2513-20, ASTM D3035-22, ASTM D3261-16, ASTM D3350-21, AWWA C906-15, NSF/ANSI/CAN 61-2022, and ISO-9001 Certified



Nominal Size	Actual Size (d1 x d2)	Norm	(L1)	(L2)	(L)	Weight (lbs.)	Part Number
3" x 2"	3.50 x 2.38	IPS	3.31	2.68	11.97	1.29	02-BRT-2601016
4" x 2"	4.50 x 2.38	IPS	3.43	2.68	14.16	2.32	02-BRT-2601017
4" x 3"	4.50 x 3.50	IPS	3.43	3.31	14.16	2.49	02-BRT-2601018
6" x 2"	6.63 x 2.38	IPS	4.06	2.68	17.70	6.04	02-BRT-2601019
6" x 3"	6.63 x 3.50	IPS	4.06	3.31	17.70	6.19	02-BRT-2601020
6" x 4"	6.63 x 4.50	IPS	4.06	3.43	17.70	6.44	02-BRT-2601021
8" x 2"	8.63 x 2.38	IPS	4.61	2.68	20.08	12.66	02-BRT-2601022
8" x 3"	8.63 x 3.50	IPS	4.61	3.31	20.08	12.76	02-BRT-2601023
8" x 4"	8.63 x 4.50	IPS	4.61	3.43	20.08	12.86	02-BRT-2601024
8" x 6"	8.63 x 6.63	IPS	4.61	4.06	20.08	13.39	02-BRT-2601025
10" x 4"	10.75 x 4.50	IPS	5.71	3.43	25.98	28.68	02-BRT-2601026
10" x 6"	10.75 x 6.63	IPS	5.71	4.06	25.98	29.16	02-BRT-2601027
10" x 8"	10.75 x 8.63	IPS	5.71	4.92	25.98	30.42	02-BRT-2601028
12" x 6"	12.75 x 6.63	IPS	6.50	4.06	29.72	49.44	02-BRT-2601029
12" x 8"	12.75 x 8.63	IPS	6.50	4.92	29.72	52.00	02-BRT-2601030
12" x 10"	12.75 x 10.75	IPS	6.50	5.71	29.72	54.25	02-BRT-2601032

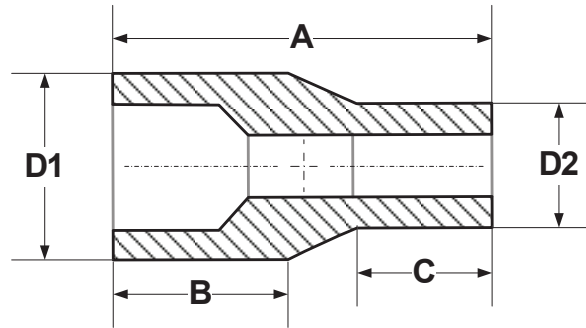
SDR 7 REDUCERS IPS

Water - 335 PSI at 73° F Sustainable Maximum Operating Pressure
 Gas - 125 PSI at 73° Deg F Sustainable Maximum Operating Pressure

- Suitable for Water, Fluids & Slurries
- Engineered for PE4710 HDPE Pipe Systems



Manufactured in accordance with: ASTM D3261-16, NSF/ANSI/CAN 61-2022, and ISO-9001 Certified



Nominal Size	Actual Size (D1 x D2)	Norm	(A)	(B)	(C)	Weight (lbs.)	Part Number
2" IPS x 1" IPS	2.38 x 1.32	IPS x IPS	6.15	3.00	1.53	0.42	03-BFR-2707002
3" IPS x 2" IPS	3.50 x 2.38	IPS x IPS	6.06	2.84	2.60	1.16	09-BFR-2707078
4" IPS x 2" IPS	4.50 x 2.38	IPS x IPS	8.00	3.00	2.40	1.95	03-BFR-2707022
4" IPS x 3" IPS	4.50 x 3.50	IPS x IPS	7.87	4.09	3.00	1.96	09-BFR-2707079
6" IPS x 4" IPS	6.63 x 4.50	IPS x IPS	8.46	4.00	3.53	6.04	09-BFR-2707041
8" IPS x 6" IPS	8.63 x 6.63	IPS x IPS	11.00	5.15	3.68	11.57	03-BFR-2707055
10" IPS x 8" IPS	10.75 x 8.63	IPS x IPS	12.01	5.98	5.11	TBA	09-BFR-2707082
12" IPS x 10" IPS	12.75 x 10.75	IPS x IPS	15.83	6.50	5.11	TBA	09-BFR-2707083

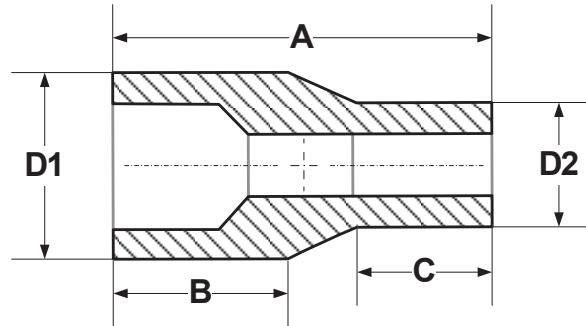
SDR 9 REDUCERS IPS

Water - 250 PSI at 73° F Sustainable Maximum Operating Pressure
 Gas - 125 PSI at 73° Deg F Sustainable Maximum Operating Pressure

- Suitable for Water, Fluids & Slurries
- Engineered for PE4710 HDPE Pipe Systems



Manufactured in accordance with: ASTM D3261-16, NSF/ANSI/CAN 61-2022, and ISO-9001 Certified



Nominal Size	Actual Size (D1 x D2)	Norm	(A)	(B)	(C)	Weight (lbs.)	Part Number
3" IPS x 2" IPS	3.50 x 2.38	IPS x IPS	6.90	3.18	2.53	0.68	09-BFR-2707007
4" IPS x 2" IPS	4.50 x 2.38	IPS x IPS	8.00	3.00	2.40	1.33	03-BFR-2707023
4" IPS x 3" IPS	4.50 x 3.50	IPS x IPS	7.58	3.00	3.00	1.48	03-BFR-2707026
6" IPS x 4" IPS	6.63 x 4.50	IPS x IPS	8.46	4.00	3.53	3.27	09-BFR-2707042
8" IPS x 4" IPS	8.63 x 4.50	IPS x IPS	11.00	4.65	3.55	7.03	09-BFR-2707052
8" IPS x 6" IPS	8.63 x 6.63	IPS x IPS	11.42	5.98	4.45	8.36	09-BFR-2707056
10" IPS x 6" IPS	10.75 x 6.62	IPS x IPS	11.81	5.98	4.45	TBA	09-BFR-2707070
10" IPS x 8" IPS	10.75 x 8.62	IPS x IPS	12.01	5.98	4.5	10.26	09-BFR-2707072
12" IPS x 6" IPS	12.75 x 6.62	IPS x IPS	13.62	6.54	4.72	TBA	09-BFR-2707125
12" IPS x 8" IPS	12.75 x 8.62	IPS x IPS	13.46	6.52	5.51	TBA	09-BFR-2707117
12" IPS x 10" IPS	12.75 x 10.75	IPS x IPS	13.46	6.54	5.51	TBA	09-BFR-2707126

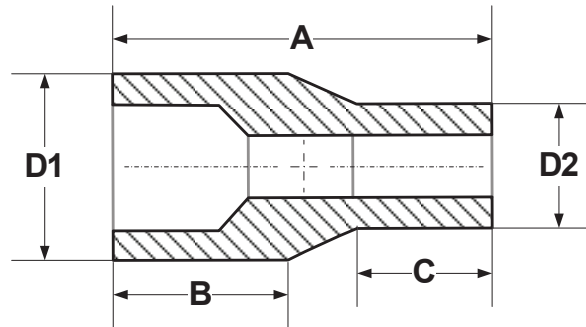
SDR 11 REDUCERS IPS

Water - 200 PSI at 73° F Sustainable Maximum Operating Pressure
 Gas - 100 PSI at 73° Deg F Sustainable Maximum Operating Pressure

- Suitable for Water, Fluids & Slurries
- Engineered for PE4710 HDPE Pipe Systems



Manufactured in accordance with: ASTM D3261-16, NSF/ANSI/CAN 61-2022, and ISO-9001 Certified



Nominal Size	Actual Size (D1 x D2)	Norm	(A)	(B)	(C)	Weight (lbs.)	Part Number
3" IPS x 2" IPS	3.50 x 2.38	IPS x IPS	6.90	3.18	2.53	0.66	03-BFR-2707006
4" IPS x 2" IPS	4.50 x 2.38	IPS x IPS	8.00	3.00	2.40	1.17	03-BFR-2707021
4" IPS x 3" IPS	4.50 x 3.50	IPS x IPS	7.58	3.00	3.00	1.43	03-BFR-2707025
6" IPS x 4" IPS	6.63 x 4.50	IPS x IPS	11.05	5.20	3.58	4.23	03-BFR-2707039
8" IPS x 4" IPS	8.63 x 4.50	IPS x IPS	11.43	4.65	3.55	6.80	03-BFR-2707049
8" IPS x 6" IPS	8.63 x 6.63	IPS x IPS	11.00	5.15	3.67	9.25	03-BFR-2707053
10" IPS x 8" IPS	10.75 x 8.62	IPS x IPS	12.01	5.98	4.50	11.66	09-BFR-2707105
12" IPS x 6" IPS	12.75 x 6.62	IPS x IPS	13.62	6.54	4.72	15.14	09-BFR-2707110
12" IPS x 8" IPS	12.75 x 8.62	IPS x IPS	13.46	6.52	5.51	15.88	09-BFR-2707115
12" IPS x 10" IPS	12.75 x 10.75	IPS x IPS	13.46	6.52	5.98	18.69	09-BFR-2707120

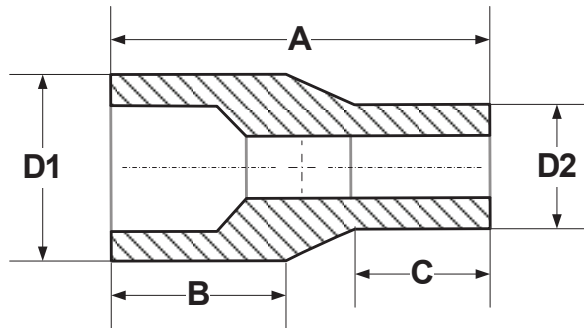
SDR 17 REDUCERS IPS

Water - 200 PSI at 73° F Sustainable Maximum Operating Pressure
 Gas - 64 PSI at 73° Deg F Sustainable Maximum Operating Pressure

- Suitable for Water, Fluids & Slurries
- Engineered for PE4710 HDPE Pipe Systems



Manufactured in accordance with: ASTM D3261-16, NSF/ANSI/CAN 61-2022, and ISO-9001 Certified



Nominal Size	Actual Size (D1 x D2)	Norm	(A)	(B)	(C)	Weight (lbs.)	Part Number
3" IPS x 2" IPS	3.50 x 2.38	IPS x IPS	6.90	2.84	2.53	0.45	03-BFR-2707005
4" IPS x 2" IPS	4.50 x 2.38	IPS x IPS	8.00	3.96	2.40	0.81	03-BFR-2707020
4" IPS x 3" IPS	4.50 x 3.50	IPS x IPS	7.58	4.02	3.00	0.97	03-BFR-2707024
6" IPS x 4" IPS	6.63 x 4.50	IPS x IPS	8.46	4.00	3.58	1.96	03-BFR-2707040
8" IPS x 4" IPS	8.63 x 4.50	IPS x IPS	10.83	5.90	3.55	5.00	03-BFR-2707050
8" IPS x 6" IPS	8.63 x 6.62	IPS x IPS	11.42	5.98	4.45	5.06	03-BFR-2707054
10" IPS x 6" IPS	10.75 x 6.62	IPS x IPS	11.81	5.98	4.45	8.00	09-BFR-2707065
10" IPS x 8" IPS	10.75 x 8.62	IPS x IPS	12.01	5.98	5.00	8.14	09-BFR-2707105
12" IPS x 6" IPS	12.75 x 6.62	IPS x IPS	13.62	6.54	4.72	11.00	09-BFR-2707111
12" IPS x 8" IPS	12.75 x 8.62	IPS x IPS	13.40	6.51	5.51	11.82	09-BFR-2707116
12" IPS x 10" IPS	12.75 x 10.75	IPS x IPS	13.46	6.5	5.98	12.22	09-BFR-2707113

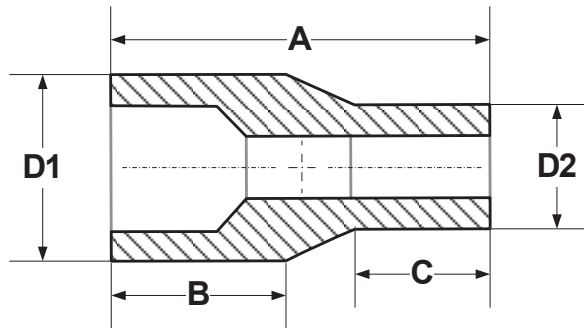
SDR 9 REDUCERS DIPS

Water - 250 PSI at 73° F Sustainable Maximum Operating Pressure
 Gas - 125 PSI at 73° Deg F Sustainable Maximum Operating Pressure

- Suitable for Water, Fluids & Slurries
- Engineered for PE4710 HDPE Pipe Systems



Manufactured in accordance with: ASTM D3261-16,
 NSF/ANSI/CAN 61-2022, and ISO-9001 Certified



Nominal Size	Actual Size (D1 x D2)	Norm	(A)	(B)	(C)	Weight (lbs.)	Part Number
4" DIPS x 3" DIPS	4.80 x 3.49	DIPS x DIPS	8.50	2.63	2.50	1.80	03-BFR-2707013
4" DIPS x 3" IPS	4.80 x 3.50	DIPS x IPS	7.58	3.08	2.85	1.80	03-BFR-2707016
6" DIPS x 4" DIPS	6.90 x 4.80	DIPS x DIPS	11.13	4.83	3.55	5.30	03-BFR-2707034
6" DIPS X 4" IPS	6.90 x 4.80	DIPS X IPS	11.13	4.83	3.55	5.20	03-BFR-2707033
6" DIPS x 6" IPS	6.90 x 6.63	DIPS x IPS	6.68	5.00	1.58	5.40	03-BFR-2707037

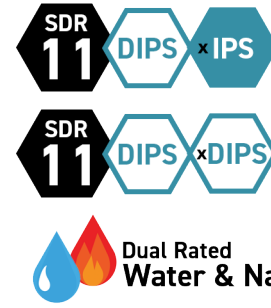
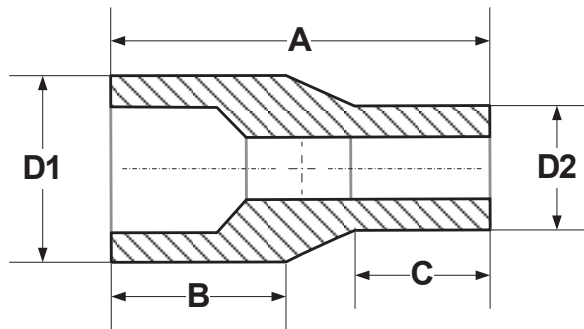
SDR 11 REDUCERS DIPS

Water - 200 PSI at 73° F Sustainable Maximum Operating Pressure
 Gas - 100 PSI at 73° Deg F Sustainable Maximum Operating Pressure

- Suitable for Water, Fluids & Slurries
- Engineered for PE4710 HDPE Pipe Systems



Manufactured in accordance with: ASTM D3261-16,
 NSF/ANSI/CAN 61-2022, and ISO-9001 Certified



Nominal Size	Actual Size (D1 x D2)	Norm	(A)	(B)	(C)	Weight (lbs.)	Part Number
3" DIPS x 3" IPS	3.96 x 3.50	DIPS x IPS	6.08	2.10	3.90	1.00	03-BFR-2707004
6" DIPS X 4" IPS	6.88 x 4.48	DIPS X IPS	10.75	4.31	3.63	5.20	03-BFR-2707030
8" DIPS x 6" DIPS	9.05 x 6.90	DIPS x DIPS	11.00	5.10	3.83	10.00	09-BFR-2707043
8" DIPS X 6" IPS	9.00 x 6.63	DIPS X IPS	11.00	4.44	3.56	9.40	03-BFR-2707046

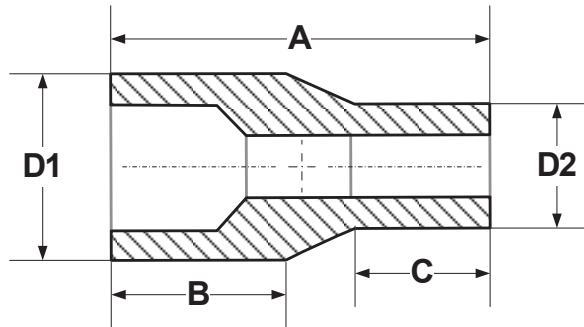
SDR 17 REDUCERS DIPS

Water - 125 PSI at 73° F Sustainable Maximum Operating Pressure
 Gas - 64 PSI at 73° Deg F Sustainable Maximum Operating Pressure

- Suitable for Water, Fluids & Slurries
- Engineered for PE4710 HDPE Pipe Systems



Manufactured in accordance with: ASTM D3261-16,
 NSF/ANSI/CAN 61-2022, and ISO-9001 Certified



Nominal Size	Actual Size (D1 x D2)	Norm	(A)	(B)	(C)	Weight (lbs.)	Part Number
4" DIPS x 2" IPS	4.80 x 2.38	DIPS x IPS	7.50	2.75	2.48	1.40	03-BFR-2707008
4" DIPS x 3" DIPS	4.80 x 3.49	DIPS x DIPS	7.58	3.08	2.85	1.50	03-BFR-2707011
4" DIPS x 3" IPS	4.80 x 3.50	DIPS x IPS	7.58	3.08	2.85	1.20	03-BFR-2707014
4" DIPS x 4" IPS	4.80 x 4.50	DIPS x IPS	6.70	1.60	5.05	1.20	03-BFR-2707017
8" DIPS x 6" DIPS	9.05 x 6.90	DIPS x DIPS	11.00	5.10	3.83	9.26	03-BFR-2707044
8" DIPS X 6" IPS	9.05 x 6.90	DIPS X IPS	11.00	5.10	3.83	9.26	03-BFR-2707047

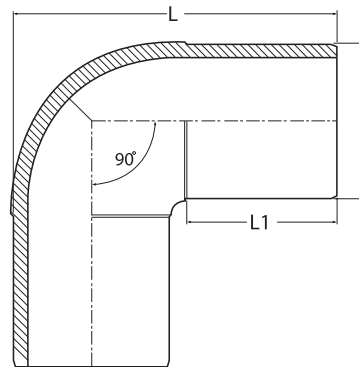
SDR 7 90° ELBOWS IPS/DIPS

Water - 335 PSI at 73° F Sustainable Maximum Operating Pressure
 Gas - 125 PSI at 73° F Sustainable Maximum Operating Pressure

- Suitable for Water, Fluids & Slurries
- Engineered for PE100, PE80, PE4710, PE3408 HDPE Pipe Systems



Manufactured in accordance with: ASTM D2513-20, ASTM D3035-22, ASTM D3261-16, ASTM D3350-21, AWWA C906-15, NSF/ANSI/CAN 61-2022, and ISO-9001 Certified



Nominal Size	Actual Size (d)	Norm	(L)	(L1)	Weight (lbs.)	Part Number
2"	2.38	IPS	5.63	2.64	0.88	02-BFX-2608548
3"	3.50	IPS	7.44	3.46	1.98	02-BFX-2608549
4"	4.50	IPS	8.39	3.54	4.62	02-BFX-2608550
6"	6.63	IPS	12.01	4.37	11.66	02-BFX-2608551
8"	8.63	IPS	15.35	5.12	21.34	02-BFX-2608552
10"	10.75	IPS	18.50	5.91	42.32	02-BFX-2608553
12"	12.75	IPS	20.69	6.30	70.40	02-BFX-2608554
4"	14.00	DIPS	8.98	3.66	4.62	02-BFX-2608556
6"	16.00	DIPS	12.01	4.37	11.88	02-BFX-2608557
8"	18.00	DIPS	15.75	5.12	21.78	02-BFX-2608558
10"	20.00	DIPS	18.50	5.91	45.54	02-BFX-2608559
12"	22.00	DIPS	21.67	6.89	71.94	02-BFX-2608560

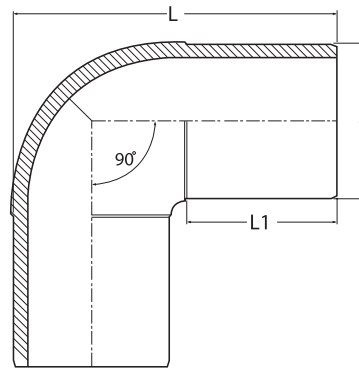
SDR 9 90° ELBOWS IPS/DIPS

Water - 255 PSI at 73° F Sustainable Maximum Operating Pressure
 Gas - 125 PSI at 73° F Sustainable Maximum Operating Pressure

- Suitable for Water, Fluids & Slurries
- Engineered for PE100, PE80, PE4710, PE3408 HDPE Pipe Systems



Manufactured in accordance with: ASTM D2513-20, ASTM D3035-22, ASTM D3261-16, ASTM D3350-21, AWWA C906-15, NSF/ANSI/CAN 61-2022, and ISO-9001 Certified



Nominal Size	Actual Size (d)	Norm	(L)	(L1)	Weight (lbs.)	Part Number
2"	2.38	IPS	5.63	2.64	0.60	02-BFX-2608525
3"	3.50	IPS	7.44	3.46	1.58	02-BFX-2608526
4"	4.50	IPS	8.39	3.54	2.68	02-BFX-2608527
6"	6.63	IPS	12.01	4.37	9.27	02-BFX-2608528
8"	8.63	IPS	15.35	5.12	20.6	02-BFX-2608529
10"	10.75	IPS	18.50	5.91	38.28	02-BFX-2608530
12"	12.75	IPS	20.69	6.30	55.06	02-BFX-2608531
4"	14.00	DIPS	8.98	3.66	3.51	02-BFX-2608532
6"	16.00	DIPS	12.01	4.37	9.26	02-BFX-2608533
8"	18.00	DIPS	15.75	5.12	22.76	02-BFX-2608534
10"	20.00	DIPS	18.50	5.91	37.91	02-BFX-2608535
12"	22.00	DIPS	21.67	6.89	61.33	02-BFX-2608536

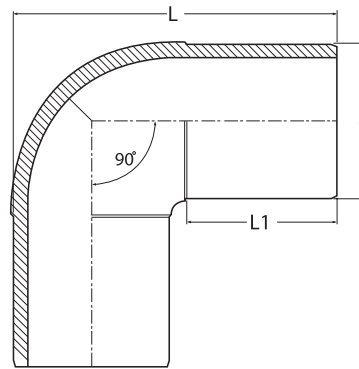
SDR 11 90° ELBOWS IPS/DIPS

Water - 200 PSI at 73° F Sustainable Maximum Operating Pressure
 Gas - 125 PSI at 73° F Sustainable Maximum Operating Pressure

- Suitable for Water, Fluids & Slurries
- Engineered for PE100, PE80, PE4710, PE3408 HDPE Pipe Systems



Manufactured in accordance with: ASTM D2513-20, ASTM D3035-22, ASTM D3261-16, ASTM D3350-21, AWWA C906-15, NSF/ANSI/CAN 61-2022, and ISO-9001 Certified



Nominal Size	Actual Size (d)	Norm	(L)	(L1)	Weight (lbs.)	Part Number
2"	2.38	IPS	5.63	2.64	0.52	02-BFX-2608501
3"	3.50	IPS	7.44	3.46	1.34	02-BFX-2608502
4"	4.50	IPS	8.39	3.54	2.26	02-BFX-2608503
6"	6.63	IPS	12.01	4.37	8.05	02-BFX-2608504
8"	8.63	IPS	15.35	5.12	17.92	02-BFX-2608505
10"	10.75	IPS	18.50	5.91	33.36	02-BFX-2608506
12"	12.75	IPS	20.69	6.30	47.47	02-BFX-2608507
4"	14.00	DIPS	8.98	3.66	3.01	02-BFX-2608508
6"	16.00	DIPS	12.01	4.37	7.95	02-BFX-2608509
8"	18.00	DIPS	15.75	5.12	19.75	02-BFX-2608510
10"	20.00	DIPS	18.50	5.91	32.65	02-BFX-2608511
12"	22.00	DIPS	21.67	6.89	52.77	02-BFX-2608512

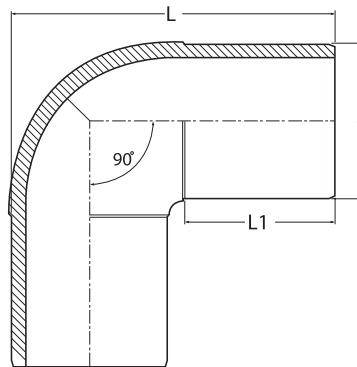
SDR 17 90° ELBOWS IPS/DIPS

Water - 130 PSI at 73° F Sustainable Maximum Operating Pressure
 Gas - 64 PSI at 73° F Sustainable Maximum Operating Pressure

- Suitable for Water, Fluids & Slurries
- Engineered for PE100, PE80, PE4710, PE3408 HDPE Pipe Systems



Manufactured in accordance with: ASTM D2513-20, ASTM D3035-22, ASTM D3261-16, ASTM D3350-21, AWWA C906-15, NSF/ANSI/CAN 61-2022, and ISO-9001 Certified



Nominal Size	Actual Size (d)	Norm	(L)	(L1)	Weight (lbs.)	Part Number
2"	2.38	IPS	5.63	2.64	0.38	02-BFX-2608513
3"	3.50	IPS	7.44	3.46	0.94	02-BFX-2608514
4"	4.50	IPS	8.39	3.54	1.55	02-BFX-2608515
6"	6.63	IPS	12.01	4.37	5.98	02-BFX-2608516
8"	8.63	IPS	15.35	5.12	13.37	02-BFX-2608517
10"	10.75	IPS	18.50	5.91	25.02	02-BFX-2608518
12"	12.75	IPS	20.69	6.30	34.63	02-BFX-2608519
4"	14.00	DIPS	8.98	3.66	2.17	02-BFX-2608520
6"	16.00	DIPS	12.01	4.37	5.66	02-BFX-2608521
8"	18.00	DIPS	15.75	5.12	14.64	02-BFX-2608522
10"	20.00	DIPS	18.50	5.91	23.77	02-BFX-2608523
12"	22.00	DIPS	21.67	6.89	38.17	02-BFX-2608524

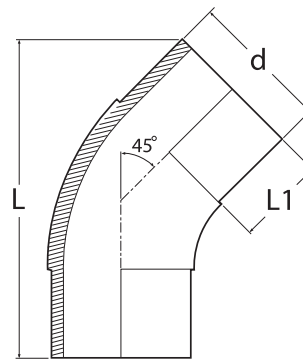
SDR 7 45° ELBOWS IPS/DIPS

Water - 335 PSI at 73° F Sustainable Maximum Operating Pressure
 Gas - 125 PSI at 73° F Sustainable Maximum Operating Pressure

- Suitable for Water, Fluids & Slurries
- Engineered for PE100, PE80, PE4710, PE3408 HDPE Pipe Systems



Manufactured in accordance with: ASTM D2513-20, ASTM D3035-22, ASTM D3261-16, ASTM D3350-21, AWWA C906-15, NSF/ANSI/CAN 61-2022, and ISO-9001 Certified



Nominal Size	Actual Size (d)	Norm	(L)	(L1)	Weight (lbs.)	Part Number
2"	2.38	IPS	6.32	2.52	0.66	02-BFE-2607049
3"	3.50	IPS	8.72	3.50	1.76	02-BFE-2607050
4"	4.50	IPS	10.38	3.54	3.52	02-BFE-2607051
6"	6.63	IPS	13.01	4.33	8.58	02-BFE-2607052
8"	8.63	IPS	16.24	5.12	17.38	02-BFE-2607053
10"	10.75	IPS	19.17	5.91	32.56	02-BFE-2607054
12"	12.75	IPS	21.19	6.30	46.86	02-BFE-2607055
4"	14.00	DIPS	11.23	3.94	3.74	02-BFE-2607056
6"	16.00	DIPS	13.10	4.33	9.02	02-BFE-2607057
8"	18.00	DIPS	16.53	5.12	18.04	02-BFE-2607058
10"	20.00	DIPS	19.29	5.91	33.22	02-BFE-2607059
12"	22.00	DIPS	22.50	6.89	49.72	02-BFE-2607060

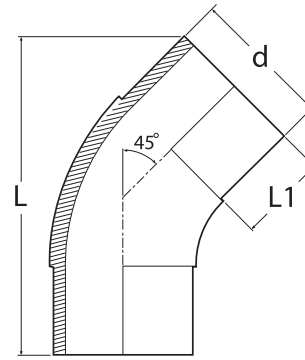
SDR 9 45° ELBOWS IPS/DIPS

Water - 225 PSI at 73° F Sustainable Maximum Operating Pressure
 Gas - 125 PSI at 73° F Sustainable Maximum Operating Pressure

- Suitable for Water, Fluids & Slurries
- Engineered for PE100, PE80, PE4710, PE3408 HDPE Pipe Systems



Manufactured in accordance with: ASTM D2513-20, ASTM D3035-22, ASTM D3261-16, ASTM D3350-21, AWWA C906-15, NSF/ANSI/CAN 61-2022, and ISO-9001 Certified



Nominal Size	Actual Size (d)	Norm	(L)	(L1)	Weight (lbs.)	Part Number
2"	2.38	IPS	6.32	2.52	0.46	02-BFE-2607025
3"	3.50	IPS	8.72	3.50	1.29	02-BFE-2607026
4"	4.50	IPS	10.38	3.54	2.39	02-BFE-2607027
6"	6.63	IPS	13.01	4.33	6.85	02-BFE-2607028
8"	8.63	IPS	16.24	5.12	14.88	02-BFE-2607029
10"	10.75	IPS	19.17	5.91	27.07	02-BFE-2607030
12"	12.75	IPS	21.19	6.30	39.35	02-BFE-2607031
4"	14.00	DIPS	11.23	3.94	3.10	02-BFE-2607032
6"	16.00	DIPS	13.10	4.33	7.00	02-BFE-2607033
8"	18.00	DIPS	16.53	5.12	16.40	02-BFE-2607034
10"	20.00	DIPS	19.29	5.91	27.36	02-BFE-2607035
12"	22.00	DIPS	22.50	6.89	44.44	02-BFE-2607036

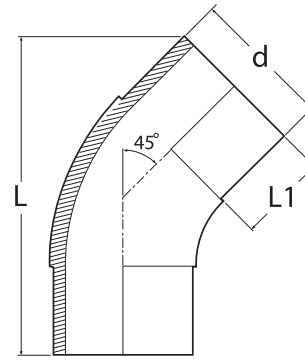
SDR 11 45° ELBOWS IPS/DIPS

Water - 200 PSI at 73° F Sustainable Maximum Operating Pressure
 Gas - 125 PSI at 73° F Sustainable Maximum Operating Pressure

- Suitable for Water, Fluids & Slurries
- Engineered for PE100, PE80, PE4710, PE3408 HDPE Pipe Systems



Manufactured in accordance with: ASTM D2513-20, ASTM D3035-22, ASTM D3261-16, ASTM D3350-21, AWWA C906-15, NSF/ANSI/CAN 61-2022, and ISO-9001 Certified



Nominal Size	Actual Size (d)	Norm	(L)	(L1)	Weight (lbs.)	Part Number
2"	2.38	IPS	6.32	2.52	0.40	02-BFE-2607001
3"	3.50	IPS	8.72	3.50	1.09	02-BFE-2607002
4"	4.50	IPS	10.38	3.54	2.01	02-BFE-2607003
6"	6.63	IPS	13.01	4.33	5.87	02-BFE-2607004
8"	8.63	IPS	16.24	5.12	12.80	02-BFE-2607005
10"	10.75	IPS	19.17	5.91	23.32	02-BFE-2607006
12"	12.75	IPS	21.19	6.30	33.63	02-BFE-2607007
4"	14.00	DIPS	11.23	3.94	2.64	02-BFE-2607008
6"	16.00	DIPS	13.10	4.33	5.95	02-BFE-2607009
8"	18.00	DIPS	16.53	5.12	14.09	02-BFE-2607010
10"	20.00	DIPS	19.29	5.91	23.36	02-BFE-2607011
12"	22.00	DIPS	22.50	6.89	37.93	02-BFE-2607012

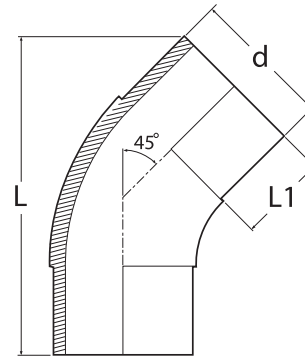
SDR 17 45° ELBOWS IPS/DIPS

Water - 130 PSI at 73° F Sustainable Maximum Operating Pressure
 Gas - 64 PSI at 73° F Sustainable Maximum Operating Pressure

- Suitable for Water, Fluids & Slurries
- Engineered for PE100, PE80, PE4710, PE3408 HDPE Pipe Systems



Manufactured in accordance with: ASTM D2513-20, ASTM D3035-22, ASTM D3261-16, ASTM D3350-21, AWWA C906-15, NSF/ANSI/CAN 61-2022, and ISO-9001 Certified



Nominal Size	Actual Size (d)	Norm	(L)	(L1)	Weight (lbs.)	Part Number
2"	2.38	IPS	6.32	2.52	0.28	02-BFE-2607013
3"	3.50	IPS	8.72	3.50	0.87	02-BFE-2607014
4"	4.50	IPS	10.38	3.54	1.63	02-BFE-2607015
6"	6.63	IPS	13.01	4.33	4.88	02-BFE-2607016
8"	8.63	IPS	16.24	5.12	8.98	02-BFE-2607017
10"	10.75	IPS	19.17	5.91	16.06	02-BFE-2607018
12"	12.75	IPS	21.19	6.30	22.66	02-BFE-2607019
4"	14.00	DIPS	11.23	3.94	2.00	02-BFE-2607020
6"	16.00	DIPS	13.10	4.33	4.01	02-BFE-2607021
8"	18.00	DIPS	16.53	5.12	10.05	02-BFE-2607022
10"	20.00	DIPS	19.29	5.91	15.99	02-BFE-2607023
12"	22.00	DIPS	22.50	6.89	26.90	02-BFE-2607024

SDR 9 END CAPS

Water - 250 PSI at 73° F Sustainable Maximum Operating Pressure

- Suitable for Water, Fluids & Slurries
- Engineered for PE4710 HDPE Pipe System



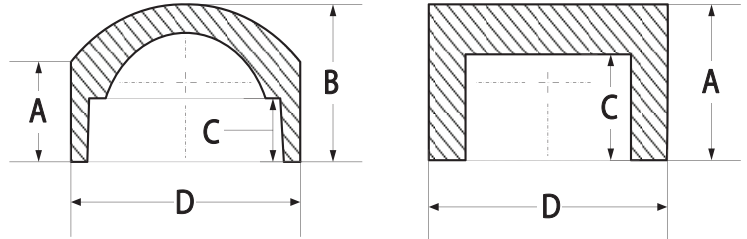
Manufactured in accordance with: ASTM D3261-16, NSF/ANSI/CAN 61-2022, and ISO-9001 Certified



STYLE A



STYLE B



Nominal Size	Style	Norm	(A)	(B)	(C)	(D)	Weight (lbs.)	Part Number
3"	A	IPS	2.90	3.13	1.50	3.50	0.54	03-BEC-2803004
8"	B	IPS	3.50	N/A	1.50	8.63	5.02	03-BEC-2803019
4"	A	DIPS	3.90	5.65	1.50	4.80	2.40	03-BEC-2803010
6"	A	DIPS	3.25	4.25	1.50	6.90	3.40	03-BEC-2803016
8"	B	DIPS	3.52	N/A	1.50	9.05	5.50	03-BEC-2803022

SDR 11 END CAPS

Water - 250 PSI at 73° F Sustainable Maximum Operating Pressure

- Suitable for Water, Fluids & Slurries
- Engineered for PE4710 HDPE Pipe System



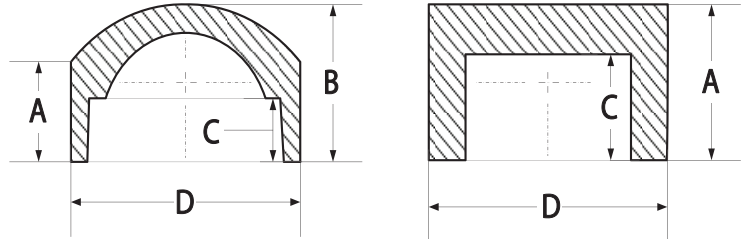
Manufactured in accordance with: ASTM D3261-16, NSF/ANSI/CAN 61-2022, and ISO-9001 Certified



STYLE A



STYLE B



Nominal Size	Style	Norm	(A)	(B)	(C)	(D)	Weight (lbs.)	Part Number
2"	A	IPS	3.23	3.53	1.50	2.38	0.22	03-BEC-2803002
3"	A	IPS	2.90	3.13	1.50	3.50	0.52	03-BEC-2803005
4"	A	IPS	3.90	5.65	1.50	4.50	1.20	03-BEC-2803008
6"	A	IPS	3.30	5.70	1.50	6.63	2.60	03-BEC-2803014
8"	B	IPS	3.50	N/A	1.50	8.63	4.76	03-BEC-2803020
10"	B	IPS	3.15	N/A	1.50	10.75	7.20	03-BEC-2803025
12"	B	IPS	3.66	N/A	1.55	12.75	10.60	03-BEC-2803027
4"	A	DIPS	3.90	5.65	1.50	4.80	2.00	03-BEC-2803011
6"	B	DIPS	3.25	N/A	1.50	6.90	3.30	03-BEC-2803017
8"	B	DIPS	3.52	N/A	1.50	9.05	5.00	03-BEC-2803023

SDR 17 END CAPS

Water - 125 PSI at 73° F Sustainable Maximum Operating Pressure

- Suitable for Water, Fluids & Slurries
- Engineered for PE4710 HDPE Pipe System



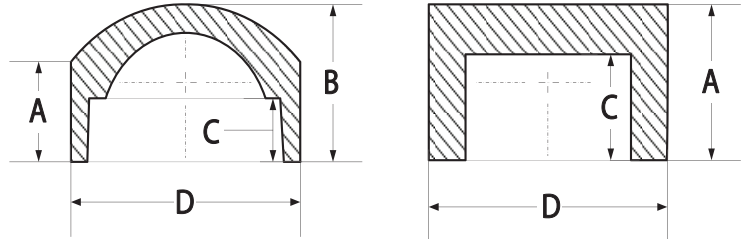
Manufactured in accordance with: ASTM D3261-16, NSF/ANSI/CAN 61-2022, and ISO-9001 Certified



STYLE A



STYLE B



Nominal Size	Style	Norm	(A)	(B)	(C)	(D)	Weight (lbs.)	Part Number
2"	A	IPS	3.23	3.53	1.50	2.38	0.20	03-BEC-2803003
3"	A	IPS	2.90	3.13	1.50	3.50	0.44	03-BEC-2803006
8"	B	IPS	3.50	N/A	1.50	8.63	4.35	03-BEC-2803021
10"	B	IPS	3.15	N/A	1.50	10.75	7.00	03-BEC-2803026
12"	B	IPS	3.66	N/A	1.55	12.75	9.90	03-BEC-2803028
4"	A	DIPS	3.90	5.65	1.50	4.80	1.90	03-BEC-2803012
6"	A	DIPS	3.25	4.25	1.50	6.90	3.20	03-BEC-2803018
8"	B	DIPS	3.52	N/A	1.50	9.05	4.80	03-BEC-2803024

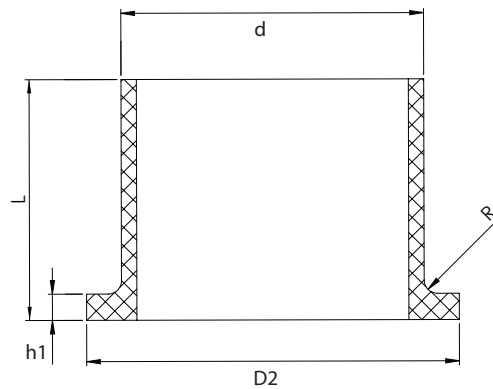
SDR 7 FLANGE ADAPTERS IPS

Water - 335 PSI at 73° F Sustainable Maximum Operating Pressure

- Suitable for Water, Fluids & Slurries
- Engineered for PE100, PE80, PE4710, PE3408 HDPE Pipe Systems



Manufactured in accordance with: ASTM D3035-22, ASTM D3261-16, ASTM D3350-21, ASTM F2880-22, AWWA C901-20, AWWA C906-15 (for 2" - 3"), NSF / ANSI 61, and ISO-9001 Certified



Nominal Size (d)	Norm	(L)	(h1)	(R)	(D2)	Weight (lbs.)	Part Number
2"	IPS	4.69	0.44	0.25	3.88	0.48	02-BFA-2611194
3"	IPS	5.13	0.63	0.25	5.00	1.09	02-BFA-2611157
4"	IPS	6.26	0.88	0.38	6.63	2.33	02-BFA-2611158
6"	IPS	7.94	1.19	0.38	8.50	5.77	02-BFA-2611159
8"	IPS	8.13	1.63	0.38	10.63	10.11	02-BFA-2611160
10"	IPS	8.50	2.00	0.38	12.75	16.22	02-BFA-2611161
12"	IPS	9.66	2.81	0.38	15.75	27.12	02-BFA-2611162
14"	IPS	10.63	2.50	0.50	17.38	36.17	02-BFA-2611163*
16"	IPS	11.32	2.88	0.50	19.75	50.74	02-BFA-2611164*
18"	IPS	11.75	3.25	0.50	21.13	63.72	02-BFA-2611165*
20"	IPS	12.57	3.63	0.50	23.38	84.27	02-BFA-2611166*
22"	IPS	12.97	3.94	0.50	25.50	104.96	02-BFA-2611167*
24"	IPS	13.78	4.28	0.50	27.75	132.80	02-BFA-2611168*
26"	IPS	15.01	4.63	0.50	30.00	168.99	02-BFA-2611169*
28"	IPS	15.63	5.00	0.50	32.25	204.92	02-BFA-2611170*
30"	IPS	16.26	5.38	0.50	34.25	243.00	02-BFA-2611171*
32"	IPS	16.88	5.75	0.50	36.75	290.98	02-BFA-2611172*
34"	IPS	18.26	6.13	0.50	38.50	347.28	02-BFA-2611173*
36"	IPS	19.63	6.50	0.50	40.75	417.58	02-BFA-2611174*
40"	IPS	22.10	7.19	0.50	45.13	576.30	02-BFA-2611175*
42"	IPS	22.40	7.48	0.50	47.38	645.95	02-BFA-2611176*
48"	IPS	26.02	8.50	0.75	53.75	967.10	02-BFA-2611177*

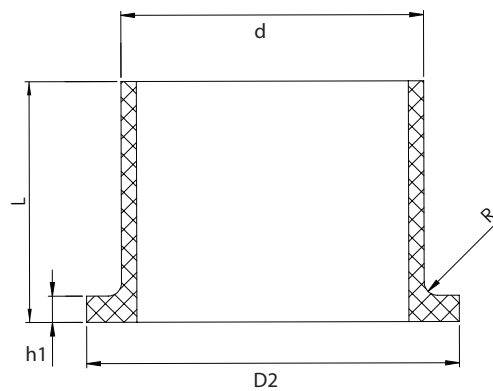
SDR 9 FLANGE ADAPTERS IPS/DIPS

Water - 255 PSI at 73° F Sustainable Maximum Operating Pressure

- Suitable for Water, Fluids & Slurries
- Engineered for PE100, PE80, PE4710, PE3408 HDPE Pipe Systems



Manufactured in accordance with: ASTM D3035-22, ASTM D3261-16, ASTM D3350-21, ASTM F2880-22, AWWA C901-20, AWWA C906-15 (for 2" - 3"), NSF / ANSI 61, and ISO-9001 Certified



Nominal Size (d)	Norm	(L)	(h1)	(R)	(D2)	Weight (lbs.)	Part Number
2"	IPS	4.64	0.39	0.25	3.88	0.40	02-BFA-2611080
3"	IPS	5.00	0.50	0.25	5.00	0.87	02-BFA-2611081
4"	IPS	6.01	0.63	0.38	6.63	1.78	02-BFA-2611082
6"	IPS	7.75	1.00	0.38	8.50	4.61	02-BFA-2611083
8"	IPS	7.38	1.25	0.38	10.63	7.49	02-BFA-2611084
10"	IPS	7.63	1.50	0.38	12.75	11.84	02-BFA-2611085
12"	IPS	9.26	1.88	0.38	15.75	21.27	02-BFA-2611086
14"	IPS	9.75	2.00	0.50	17.38	27.26	02-BFA-2611087*
16"	IPS	10.25	2.25	0.50	19.75	37.73	02-BFA-2611088*
18"	IPS	10.63	2.50	0.50	21.13	47.04	02-BFA-2611089*
20"	IPS	11.26	2.88	0.50	23.38	62.02	02-BFA-2611090*
22"	IPS	11.76	3.13	0.50	25.50	78.04	02-BFA-2611091*
24"	IPS	12.05	3.36	0.50	27.75	95.70	02-BFA-2611092*
26"	IPS	13.76	3.63	0.50	30.00	126.47	02-BFA-2611093*
28"	IPS	14.13	3.88	0.50	32.25	151.24	02-BFA-2611094*
30"	IPS	14.57	4.19	0.50	34.25	178.16	02-BFA-2611095*
32"	IPS	15.38	4.50	0.50	36.75	216.53	02-BFA-2611096*
34"	IPS	16.25	4.75	0.50	38.50	252.71	02-BFA-2611097*
36"	IPS	17.19	5.00	0.50	40.75	299.22	02-BFA-2611098*
40"	IPS	20.42	5.50	0.50	45.13	371.34	02-BFA-2611099*
42"	IPS	20.80	5.88	0.50	47.38	425.24	02-BFA-2611100*
48"	IPS	24.27	6.75	0.75	53.75	582.28	02-BFA-2611101*

SDR 9 FLANGE ADAPTERS IPS/DIPS

Water - 255 PSI at 73° F Sustainable Maximum Operating Pressure

- Suitable for Water, Fluids & Slurries
- Engineered for PE100, PE80, PE4710, PE3408 HDPE Pipe Systems



Manufactured in accordance with: ASTM D3035-22, ASTM D3261-16, ASTM D3350-21, ASTM F2880-22, AWWA C901-20, AWWA C906-15 (for 2" - 3"), NSF / ANSI 61, and ISO-9001 Certified



Nominal Size (d)	Norm	(L)	(h1)	(R)	(D2)	Weight (lbs.)	Part Number
4"	DIPS	6.07	0.69	0.44	6.63	1.98	02-BFA-2611104 *
6"	DIPS	7.75	1.00	0.44	8.50	4.84	02-BFA-2611105 *
8"	DIPS	7.38	1.25	0.44	10.63	7.88	02-BFA-2611106 *
10"	DIPS	7.76	1.63	0.44	12.75	12.49	02-BFA-2611107 *
12"	DIPS	9.26	1.88	0.44	15.75	21.91	02-BFA-2611108 *
14"	DIPS	9.88	2.13	0.44	17.38	29.91	02-BFA-2611109 *
16"	DIPS	10.50	2.50	0.44	19.75	41.64	02-BFA-2611110 *
18"	DIPS	10.88	2.75	0.44	21.13	51.39	02-BFA-2611111 *
20"	DIPS	11.38	3.00	0.44	23.38	66.13	02-BFA-2611112 *
24"	DIPS	12.32	3.63	0.50	27.75	102.31	02-BFA-2611113 *
30"	DIPS	14.88	4.50	0.50	34.25	189.16	02-BFA-2611114 *
36"	DIPS	17.69	5.50	0.50	40.75	319.95	02-BFA-2611115 *
42"	DIPS	23.78	6.26	0.50	47.38	433.58	02-BFA-2611116 *
48"	DIPS	24.64	7.12	0.75	53.75	512.63	02-BFA-2611117 *

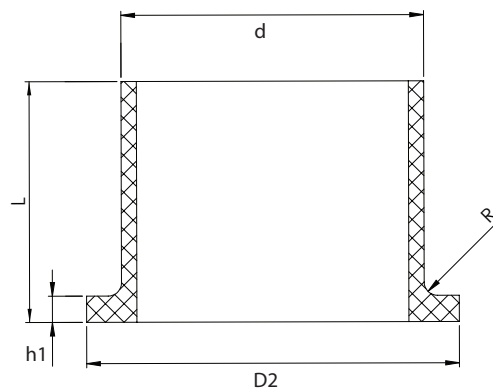
SDR 11 FLANGE ADAPTERS IPS/DIPS

Water - 200 PSI at 73° F Sustainable Maximum Operating Pressure

- Suitable for Water, Fluids & Slurries
- Engineered for PE100, PE80, PE4710, PE3408 HDPE Pipe Systems



Manufactured in accordance with: ASTM D3035-22, ASTM D3261-16, ASTM D3350-21, ASTM F2880-22, AWWA C901-20, AWWA C906-15 (for 2" - 3"), NSF / ANSI 61, and ISO-9001 Certified



Nominal Size (d)	Norm	(L)	(h1)	(R)	(D2)	Weight (lbs.)	Part Number
2"	IPS	4.64	0.39	0.25	3.88	0.35	02-BFA-2611001
3"	IPS	4.91	0.41	0.25	5.00	0.71	02-BFA-2611002
4"	IPS	6.50	0.50	0.38	6.63	1.57	02-BFA-2611003
6"	IPS	7.53	0.78	0.38	8.50	3.73	02-BFA-2611004
8"	IPS	7.13	1.00	0.38	10.63	6.06	02-BFA-2611005
10"	IPS	7.41	1.28	0.38	12.75	9.72	02-BFA-2611006
12"	IPS	9.29	1.54	0.38	15.75	17.81	02-BFA-2611007
14"	IPS	9.38	1.63	0.50	17.38	22.01	02-BFA-2611008*
16"	IPS	9.88	1.88	0.50	19.75	30.70	02-BFA-2611009*
18"	IPS	10.13	2.00	0.50	21.13	37.59	02-BFA-2611010*
20"	IPS	10.65	2.27	0.50	23.38	49.18	02-BFA-2611011*
22"	IPS	11.13	2.50	0.50	25.50	62.05	02-BFA-2611012*
24"	IPS	11.44	2.75	0.50	27.75	76.57	02-BFA-2611013*
26"	IPS	13.13	3.00	0.50	30.00	101.90	02-BFA-2611014*
28"	IPS	13.38	3.25	0.50	32.25	121.38	02-BFA-2611015*
30"	IPS	13.75	3.50	0.50	34.25	142.55	02-BFA-2611016*
32"	IPS	14.38	3.63	0.50	36.75	170.81	02-BFA-2611017*
34"	IPS	14.76	3.88	0.50	38.50	195.00	02-BFA-2611018*
36"	IPS	15.44	4.13	0.50	40.75	229.24	02-BFA-2611019*
40"	IPS	17.13	4.50	0.50	45.13	311.41	02-BFA-2611020*
42"	IPS	17.63	5.00	0.50	47.38	358.17	02-BFA-2611021*
48"	IPS	18.38	5.50	0.75	53.75	582.28	02-BFA-2611022*

SDR 11 FLANGE ADAPTERS IPS/DIPS

Water - 200 PSI at 73° F Sustainable Maximum Operating Pressure

- Suitable for Water, Fluids & Slurries
- Engineered for PE100, PE80, PE4710, PE3408 HDPE Pipe Systems



Manufactured in accordance with: ASTM D3035-22, ASTM D3261-16, ASTM D3350-21, ASTM F2880-22, AWWA C901-20, AWWA C906-15 (for 2" - 3"), NSF / ANSI 61, and ISO-9001 Certified



Nominal Size (d)	Norm	(L)	(h1)	(R)	(D2)	Weight (lbs.)	Part Number
54"	IPS	26.26	6.13	0.75	60.00	835.70	02-BFA-2611023 *
63"	IPS	25.13	6.30	0.75	66.75	1014.28	02-BFA-2611024 *
4"	DIPS	6.56	0.56	0.44	6.63	1.76	02-BFA-2611025 *
6"	DIPS	7.53	0.78	0.44	8.50	3.94	02-BFA-2611026 *
8"	DIPS	7.19	1.06	0.44	10.63	6.48	02-BFA-2611027 *
10"	DIPS	7.38	1.25	0.44	12.75	9.92	02-BFA-2611028 *
12"	DIPS	9.25	1.50	0.44	15.75	18.24	02-BFA-2611029 *
14"	DIPS	9.50	1.75	0.44	17.38	24.20	02-BFA-2611030 *
16"	DIPS	10.00	2.00	0.44	19.75	33.29	02-BFA-2611031 *
18"	DIPS	10.38	2.25	0.44	21.13	41.33	02-BFA-2611032 *
20"	DIPS	10.88	2.50	0.44	23.38	53.41	02-BFA-2611033 *
24"	DIPS	11.69	3.00	0.50	27.75	82.01	02-BFA-2611034 *
30"	DIPS	13.88	3.63	0.50	34.25	148.79	02-BFA-2611035 *
36"	DIPS	15.81	4.50	0.50	40.75	242.49	02-BFA-2611036 *
42"	DIPS	17.63	5.00	0.50	47.38	365.30	02-BFA-2611037 *
48"	DIPS	16.63	5.81	0.75	53.75	446.79	02-BFA-2611038 *

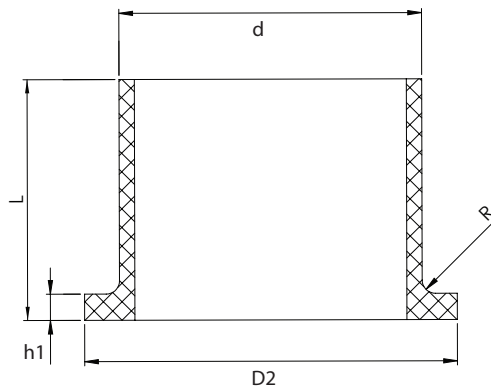
SDR 17 FLANGE ADAPTERS IPS/DIPS

Water - 130 PSI at 73° F Sustainable Maximum Operating Pressure

- Suitable for Water, Fluids & Slurries
- Engineered for PE100, PE80, PE4710, PE3408 HDPE Pipe Systems



Manufactured in accordance with: ASTM D3035-22, ASTM D3261-16, ASTM D3350-21, ASTM F2880-22, AWWA C901-20, AWWA C906-15 (for 2" - 3"), NSF / ANSI 61, and ISO-9001 Certified



Nominal Size (d)	Norm	(L)	(h1)	(R)	(D2)	Weight (lbs.)	Part Number
2"	IPS	4.64	0.39	0.25	3.88	0.27	02-BFA-2611039
3"	IPS	4.89	0.39	0.25	5.00	0.52	02-BFA-2611040
4"	IPS	6.50	0.50	0.38	6.63	1.16	02-BFA-2611041
6"	IPS	7.53	0.78	0.38	8.50	2.71	02-BFA-2611042
8"	IPS	7.13	1.00	0.38	10.63	4.42	02-BFA-2611043
10"	IPS	7.41	1.28	0.38	12.75	7.08	02-BFA-2611044
12"	IPS	9.29	1.54	0.38	15.75	13.15	02-BFA-2611045
14"	IPS	9.38	1.63	0.50	17.38	16.33	02-BFA-2611046*
16"	IPS	9.88	1.88	0.50	19.75	22.86	02-BFA-2611047*
18"	IPS	10.13	2.00	0.50	21.13	27.44	02-BFA-2611048*
20"	IPS	10.65	2.27	0.50	23.38	36.03	02-BFA-2611049*
22"	IPS	11.13	2.50	0.50	25.50	45.40	02-BFA-2611050*
24"	IPS	11.44	2.75	0.50	27.75	56.23	02-BFA-2611051*
26"	IPS	12.63	2.50	0.50	30.00	69.31	02-BFA-2611052*
28"	IPS	12.76	2.63	0.50	32.25	81.64	02-BFA-2611053*
30"	IPS	13.00	2.75	0.50	34.25	94.59	02-BFA-2611054*
32"	IPS	13.75	3.00	0.50	36.75	115.89	02-BFA-2611055*
34"	IPS	13.88	3.00	0.50	38.50	128.37	02-BFA-2611056*
36"	IPS	14.31	3.00	0.50	40.75	147.38	02-BFA-2611057*
40"	IPS	15.63	3.00	0.50	45.13	193.83	02-BFA-2611058*
42"	IPS	15.76	3.13	0.50	47.38	217.09	02-BFA-2611059*

SDR 17 FLANGE ADAPTERS IPS/DIPS

Water - 130 PSI at 73° F Sustainable Maximum Operating Pressure

- Suitable for Water, Fluids & Slurries
- Engineered for PE100, PE80, PE4710, PE3408 HDPE Pipe Systems



Manufactured in accordance with: ASTM D3035-22, ASTM D3261-16, ASTM D3350-21, ASTM F2880-22, AWWA C901-20, AWWA C906-15 (for 2" - 3"), NSF / ANSI 61, and ISO-9001 Certified



Nominal Size (d)	Norm	(L)	(h1)	(R)	(D2)	Weight (lbs.)	Part Number
48"	IPS	16.51	3.63	0.75	53.75	299.17	02-BFA-2611060 *
54"	IPS	24.13	4.00	0.75	60.00	521.02	02-BFA-2611061 *
63"	IPS	25.13	4.63	0.75	66.75	690.93	02-BFA-2611062 *
4"	DIPS	6.50	0.50	0.44	6.63	1.26	02-BFA-2611063 *
6"	DIPS	7.50	0.75	0.44	8.50	2.78	02-BFA-2611064 *
8"	DIPS	7.13	1.00	0.44	10.63	4.56	02-BFA-2611065 *
10"	DIPS	7.38	1.25	0.44	12.75	7.12	02-BFA-2611066 *
12"	DIPS	9.25	1.50	0.44	15.75	13.25	02-BFA-2611067 *
14"	DIPS	9.50	1.75	0.44	17.38	17.36	02-BFA-2611068 *
16"	DIPS	10.00	2.00	0.44	19.75	23.95	02-BFA-2611069 *
18"	DIPS	10.38	2.25	0.44	21.13	29.05	02-BFA-2611070 *
20"	DIPS	10.88	2.50	0.44	23.38	37.60	02-BFA-2611071 *
24"	DIPS	11.69	3.00	0.50	27.75	57.82	02-BFA-2611072 *
30"	DIPS	11.69	3.00	0.50	27.75	104.54	02-BFA-2611073 *
36"	DIPS	13.88	3.63	0.50	34.25	170.35	02-BFA-2611074 *
42"	DIPS	15.81	4.50	0.50	40.75	227.18	02-BFA-2611075 *
48"	DIPS	16.13	3.50	0.50	47.38	302.93	02-BFA-2611076 *

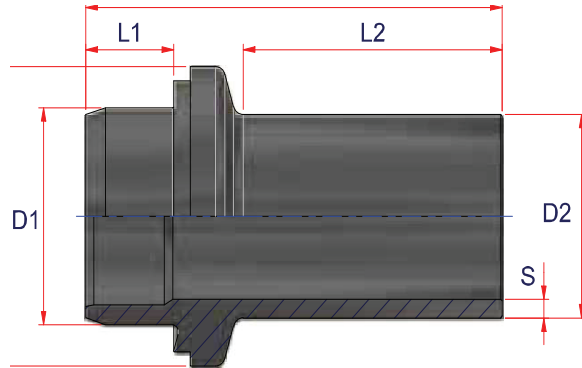
SDR 9 MJ ADAPTERS DIPS/IPS

Water - 300 PSI at 73° F Sustainable Maximum Operating Pressure

- Suitable for Water, Fluids & Slurries
- Engineered for PE4710 HDPE Pipe Systems



Manufactured in accordance with: ASTM D3261, ASTM D2513, AWWA C-901-20, AWWA C-906-15, NSF / ANSI 61, and ISO-9001 Certified



Nominal Size	Actual Size (d1 x d2)	Norm	(L1)	(L2)	(S)	Weight (lbs.)	Part Number
3" DIPS x 3" IPS	3.96 x 3.50	DIPS x IPS	2.01	5.51	0.39	1.91	09-MJA-3701178
4" DIPS x 4" IPS	4.80 x 4.50	DIPS x IPS	2.21	6.51	0.50	3.18	09-MJA-3701179
6" DIPS x 6" IPS	6.90 x 6.62	DIPS x IPS	2.38	7.23	0.74	6.38	09-MJA-3701180
8" DIPS x 8" IPS	9.05 x 8.62	DIPS x IPS	2.38	7.66	0.96	12.10	09-MJA-3701181
10" DIPS x 10" IPS	11.10 x 10.75	DIPS x IPS	2.25	9.03	1.19	20.24	09-MJA-3701182
12" DIPS x 12" IPS	13.20 x 12.75	DIPS x IPS	1.73	8.52	1.42	28.60	09-MJA-3701183
14" DIPS x 14" IPS	15.30 x 14.00	DIPS x IPS	2.13	7.34	1.55	35.20	09-MJA-3701184*
16" DIPS x 16" IPS	17.40 x 16.00	DIPS x IPS	1.73	7.44	1.77	47.52	09-MJA-3701185*
18" DIPS x 18" IPS	19.45 x 17.92	DIPS x IPS	1.73	8.35	2.00	TBA	09-MJA-3701186*
20" DIPS x 20" IPS	21.55 x 19.92	DIPS x IPS	2.36	8.33	2.22	TBA	09-MJA-3701187*
24" DIPS x 24" IPS	25.74 x 23.89	DIPS x IPS	2.36	8.33	2.66	TBA	09-MJA-3701188*

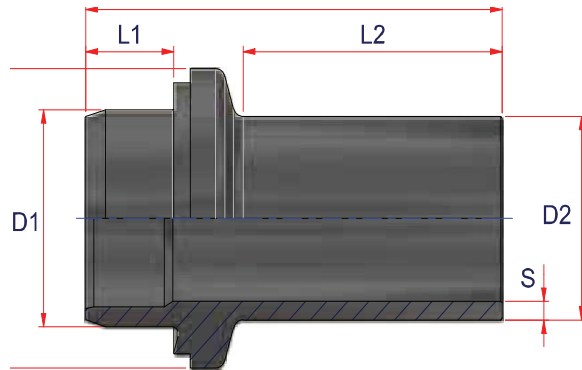
SDR 9 MJ ADAPTERS DIPS/DIPS

Water - 300 PSI at 73° F Sustainable Maximum Operating Pressure

- Suitable for Water, Fluids & Slurries
- Engineered for PE4710 HDPE Pipe Systems



Manufactured in accordance with: ASTM D3261, ASTM D2513, AWWA C-901-20, AWWA C-906-15, NSF / ANSI 61, and ISO-9001 Certified



Nominal Size	Actual Size (d1 x d2)	Norm	(L1)	(L2)	(S)	Weight (lbs.)	Part Number
3" DIPS x 3" DIPS	3.96 x 3.50	DIPS x DIPS	2.01	5.51	0.39	1.91	09-MJA-3701169
4" DIPS x 4" DIPS	4.80 x 4.50	DIPS x DIPS	2.21	6.51	0.50	3.18	09-MJA-3701170
6" DIPS x 6" DIPS	6.90 x 6.62	DIPS x DIPS	2.38	7.23	0.74	6.38	09-MJA-3701171
8" DIPS x 8" DIPS	9.05 x 8.62	DIPS x DIPS	2.38	7.66	0.96	12.10	09-MJA-3701172
10" DIPS x 10" DIPS	11.10 x 10.75	DIPS x DIPS	2.25	9.03	1.19	20.24	09-MJA-3701173
12" DIPS x 12" DIPS	13.20 x 12.75	DIPS x DIPS	1.73	8.52	1.42	28.60	09-MJA-3701174
14" DIPS x 14" DIPS	15.30 x 15.30	DIPS x DIPS	1.73	7.39	1.47	36.08	09-MJA-3701175*
16" DIPS x 16" DIPS	17.40 x 17.40	DIPS x DIPS	1.73	8.33	1.70	49.06	09-MJA-3701176*
18" DIPS x 18" DIPS	19.41 x 19.41	DIPS x DIPS	1.73	8.33	2.17	TBA	09-MJA-3701177*
20" DIPS x 20" DIPS	21.50 x 21.50	DIPS x DIPS	1.73	8.33	2.40	TBA	09-MJA-3701191*
24" DIPS x 24" DIPS	25.79 x 25.79	DIPS x DIPS	2.36	8.33	2.87	TBA	09-MJA-3701153*

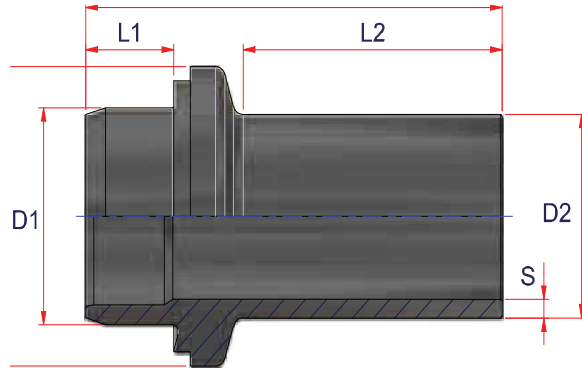
SDR 11 MJ ADAPTERS DIPS/IPS

Water - 230 PSI at 73° F Sustainable Maximum Operating Pressure

- Suitable for Water, Fluids & Slurries
- Engineered for PE4710 HDPE Pipe Systems



Manufactured in accordance with: ASTM D3261, ASTM D2513, AWWA C-901-20, AWWA C-906-15, NSF / ANSI 61, and ISO-9001 Certified



Nominal Size	Actual Size (d1 x d2)	Norm	(L1)	(L2)	(S)	Weight (lbs.)	Part Number
2" DIPS x 2" IPS	2.51 x 2.37	DIPS x IPS	1.93	5.07	0.21	0.68	09-MJA-3701149
3" DIPS x 3" IPS	3.96 x 3.50	DIPS x IPS	2.01	5.51	0.39	1.65	09-MJA-3701158
4" DIPS x 4" IPS	4.80 x 4.50	DIPS x IPS	2.21	6.51	0.50	2.81	09-MJA-3701159
6" DIPS x 6" IPS	6.90 x 6.62	DIPS x IPS	2.38	7.23	0.74	5.86	09-MJA-3701160
8" DIPS x 8" IPS	9.05 x 8.62	DIPS x IPS	2.38	7.66	0.96	9.90	09-MJA-3701161
10" DIPS x 10" IPS	11.10 x 10.75	DIPS x IPS	2.25	9.03	1.19	17.38	09-MJA-3701162
12" DIPS x 12" IPS	13.20 x 12.75	DIPS x IPS	1.73	8.52	1.42	23.54	09-MJA-3701163
14" DIPS x 14" IPS	15.30 x 14.00	DIPS x IPS	1.73	7.28	1.27	26.18	09-MJA-3701164 *
16" DIPS x 16" IPS	17.40 x 16.00	DIPS x IPS	1.73	7.35	1.45	35.86	09-MJA-3701165 *
18" DIPS x 18" IPS	19.45 x 17.92	DIPS x IPS	1.73	8.33	1.64	TBA	09-MJA-3701166 *
20" DIPS x 20" IPS	21.55 x 19.92	DIPS x IPS	1.73	8.33	1.82	TBA	09-MJA-3701167 *
24" DIPS x 24" IPS	25.74 x 23.89	DIPS x IPS	1.73	8.33	2.18	94.60	09-MJA-3701168 *

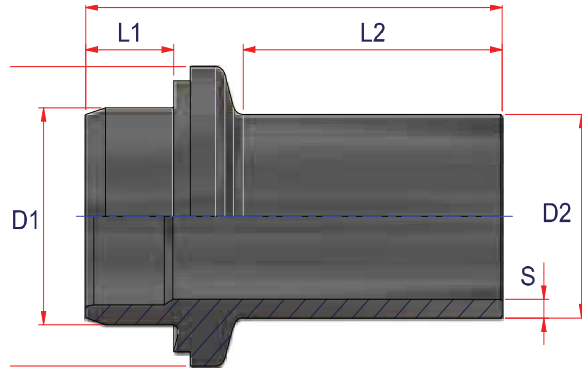
SDR 11 MJ ADAPTERS DIPS/DIPS

Water - 230 PSI at 73° F Sustainable Maximum Operating Pressure

- Suitable for Water, Fluids & Slurries
- Engineered for PE4710 HDPE Pipe Systems



Manufactured in accordance with: ASTM D3261, ASTM D2513, AWWA C-901-20, AWWA C-906-15, NSF / ANSI 61, and ISO-9001 Certified



Nominal Size	Actual Size (d1 x d2)	Norm	(L1)	(L2)	(S)	Weight (lbs.)	Part Number
3" DIPS x 3" DIPS	3.96 x 3.96	DIPS x DIPS	2.01	5.51	0.39	TBA	09-MJA-3701190
4" DIPS x 4" DIPS	4.80 x 4.80	DIPS x DIPS	2.21	6.51	0.43	2.86	09-MJA-3701144
6" DIPS x 6" DIPS	6.90 x 6.90	DIPS x DIPS	2.38	7.23	0.62	5.86	09-MJA-3701150
8" DIPS x 8" DIPS	9.05 x 9.05	DIPS x DIPS	2.38	7.66	0.82	10.34	09-MJA-3701151
10" DIPS x 10" DIPS	11.10 x 11.10	DIPS x DIPS	2.25	9.03	1.00	17.82	09-MJA-3701155
12" DIPS x 12" DIPS	13.20 x 13.20	DIPS x DIPS	1.73	8.52	1.20	24.20	09-MJA-3701152
14" DIPS x 14" DIPS	15.30 x 15.30	DIPS x DIPS	1.73	7.39	1.39	27.50	09-MJA-3701192*
16" DIPS x 16" DIPS	17.40 x 17.40	DIPS x DIPS	1.73	7.40	1.58	37.84	09-MJA-3701156*
18" DIPS x 18" DIPS	19.45 x 19.45	DIPS x DIPS	1.73	8.33	1.77	TBA	09-MJA-3701157*
20" DIPS x 20" DIPS	21.59 x 21.59	DIPS x DIPS	1.73	8.33	1.96	TBA	09-MJA-3701148*
24" DIPS x 24" DIPS	25.74 x 25.74	DIPS x DIPS	2.36	8.33	2.34	TBA	09-MJA-3701154*

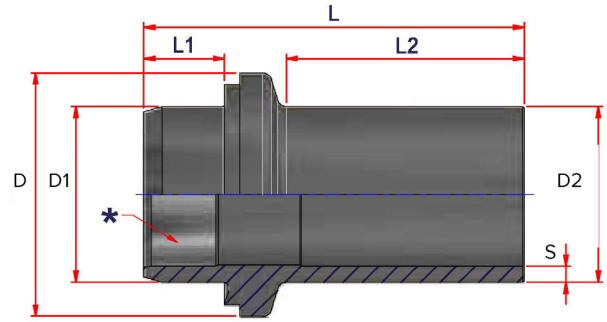
SDR 9 MJ ADAPTERS DIPS/IPS

Water - 300 PSI at 73° F Sustainable Maximum Operating Pressure

- Suitable for Water, Fluids & Slurries
- Engineered for PE4710 HDPE Pipe Systems



Manufactured in accordance with: ASTM D3261, ASTM D2513, AWWA C-901-20, AWWA C-906-15, NSF / ANSI 61, and ISO-9001 Certified



*With Stiffener

Nominal Size	Actual Size (d1 x d2)	Norm	(L1)	(L2)	(S)	Weight (lbs.)	Part Number
3" DIPS x 3" IPS	3.96 x 3.50	DIPS x IPS	2.01	5.51	0.39	TBA	09-MJA-3701126
4" DIPS x 4" IPS	4.80 x 4.50	DIPS x IPS	2.21	6.51	0.50	3.08	09-MJA-3701189
6" DIPS x 6" IPS	6.90 x 6.62	DIPS x IPS	2.38	7.23	0.74	6.38	09-MJA-3701127
8" DIPS x 8" IPS	9.05 x 8.62	DIPS x IPS	2.38	7.66	0.96	12.10	09-MJA-3701128
10" DIPS x 10" IPS	11.10 x 10.75	DIPS x IPS	2.25	9.03	1.19	20.24	09-MJA-3701132
12" DIPS x 12" IPS	13.20 x 12.75	DIPS x IPS	1.73	8.52	1.42	28.60	09-MJA-3701145
14" DIPS x 14" IPS	15.30 x 14.00	DIPS x IPS	2.13	7.34	1.55	35.20	09-MJA-3701133 *
16" DIPS x 16" IPS	17.40 x 16.00	DIPS x IPS	1.73	7.44	1.77	47.52	09-MJA-3701136 *
18" DIPS x 18" IPS	19.45 x 17.92	DIPS x IPS	1.73	8.35	2.00	TBA	09-MJA-3701137 *
20" DIPS x 20" IPS	21.55 x 19.92	DIPS x IPS	2.36	8.33	2.22	TBA	09-MJA-3701138 *
24" DIPS x 24" IPS	25.74 x 23.89	DIPS x IPS	2.36	8.33	2.66	TBA	09-MJA-3701141 *

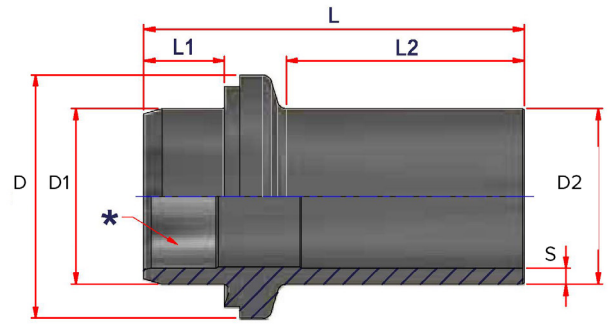
SDR 9 MJ ADAPTERS DIPS/DIPS

Water - 300 PSI at 73° F Sustainable Maximum Operating Pressure

- Suitable for Water, Fluids & Slurries
- Engineered for PE4710 HDPE Pipe Systems



Manufactured in accordance with: ASTM D3261, ASTM D2513, AWWA C-901-20, AWWA C-906-15, NSF / ANSI 61, and ISO-9001 Certified



*With Stiffener

Nominal Size	Actual Size (d1 x d2)	Norm	(L1)	(L2)	(S)	Weight (lbs.)	Part Number
3" DIPS x 3" DIPS	3.96 x 3.96	DIPS x DIPS	2.01	5.51	0.39	1.91	09-MJA-3701143
4" DIPS x 4" DIPS	4.80 x 4.80	DIPS x DIPS	2.21	6.51	0.50	3.18	09-MJA-3701131
6" DIPS x 6" DIPS	6.90 x 6.90	DIPS x DIPS	2.38	7.23	0.74	6.38	09-MJA-3701130
8" DIPS x 8" DIPS	9.05 x 9.05	DIPS x DIPS	2.38	7.66	0.96	12.10	09-MJA-3701146
10" DIPS x 10" DIPS	11.10 x 11.10	DIPS x DIPS	2.25	9.03	1.19	20.24	09-MJA-3701129
12" DIPS x 12" DIPS	13.20 x 13.20	DIPS x DIPS	1.73	8.52	1.42	28.60	09-MJA-3701134
14" DIPS x 14" DIPS	15.30 x 15.30	DIPS x DIPS	1.73	7.39	1.47	36.08	09-MJA-3701135 *
16" DIPS x 16" DIPS	17.40 x 17.40	DIPS x DIPS	1.73	8.33	1.70	49.06	09-MJA-3701147 *
18" DIPS x 18" DIPS	19.41 x 19.41	DIPS x DIPS	1.73	8.33	2.17	TBA	09-MJA-3701120 *
20" DIPS x 20" DIPS	21.50 x 21.50	DIPS x DIPS	1.73	8.33	2.40	TBA	09-MJA-3701140 *
24" DIPS x 24" DIPS	25.79 x 25.79	DIPS x DIPS	2.36	8.33	2.87	TBA	09-MJA-3701142 *

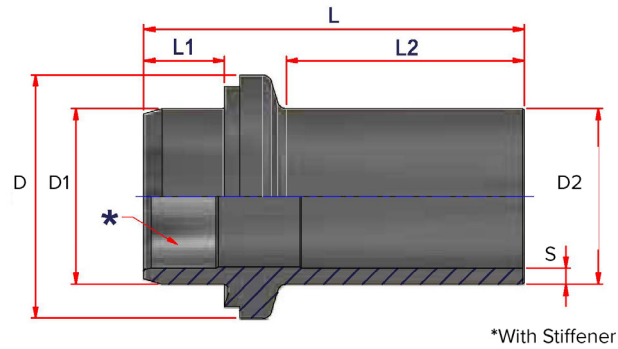
SDR 11 MJ ADAPTERS DIPS/IPS

Water - 230 PSI at 73° F Sustainable Maximum Operating Pressure

- Suitable for Water, Fluids & Slurries
- Engineered for PE4710 HDPE Pipe Systems



Manufactured in accordance with: ASTM D3261, ASTM D2513, AWWA C-901-20, AWWA C-906-15, NSF / ANSI 61, and ISO-9001 Certified



Nominal Size	Actual Size (d1 x d2)	Norm	(L1)	(L2)	(S)	Weight (lbs.)	Part Number
2" DIPS x 2" IPS	2.51 x 2.37	DIPS x IPS	1.93	5.07	0.21	0.68	09-MJA-3701101
3" DIPS x 3" IPS	3.96 x 3.50	DIPS x IPS	2.01	5.51	0.31	TBA	09-MJA-3701102
4" DIPS x 4" IPS	4.80 x 4.50	DIPS x IPS	2.21	6.51	0.40	2.64	09-MJA-3701103
6" DIPS x 6" IPS	6.90 x 6.62	DIPS x IPS	2.38	7.23	0.60	5.50	09-MJA-3701104
8" DIPS x 8" IPS	9.05 x 8.62	DIPS x IPS	2.38	7.66	0.78	9.90	09-MJA-3701105
10" DIPS x 10" IPS	11.10 x 10.75	DIPS x IPS	2.25	9.03	0.97	17.30	09-MJA-3701106
12" DIPS x 12" IPS	13.20 x 12.75	DIPS x IPS	1.73	8.52	1.15	23.54	09-MJA-3701107
14" DIPS x 14" IPS	15.30 x 14.00	DIPS x IPS	1.73	7.28	1.27	26.18	09-MJA-3701108*
16" DIPS x 16" IPS	17.40 x 16.00	DIPS x IPS	1.73	7.35	1.45	35.86	09-MJA-3701109*
18" DIPS x 18" IPS	19.45 x 17.92	DIPS x IPS	1.73	8.33	1.63	TBA	09-MJA-3701123*
20" DIPS x 20" IPS	21.55 x 19.92	DIPS x IPS	1.73	8.33	1.81	TBA	09-MJA-3701124*
24" DIPS x 24" IPS	25.74 x 23.89	DIPS x IPS	1.73	8.33	2.18	TBA	09-MJA-3701125*

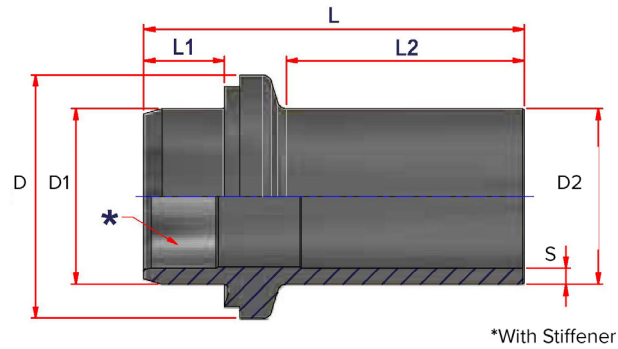
SDR 11 MJ ADAPTERS DIPS/DIPS

Water - 230 PSI at 73° F Sustainable Maximum Operating Pressure

- Suitable for Water, Fluids & Slurries
- Engineered for PE4710 HDPE Pipe Systems



Manufactured in accordance with: ASTM D3261, ASTM D2513, AWWA C-901-20, AWWA C-906-15, NSF / ANSI 61, and ISO-9001 Certified



Nominal Size	Actual Size (d1 x d2)	Norm	(L1)	(L2)	(S)	Weight (lbs.)	Part Number
3" DIPS x 3" DIPS	3.96 x 3.96	DIPS x DIPS	2.01	5.57	3.96	TBA	09-MJA-3701111
4" DIPS x 4" DIPS	4.80 x 4.80	DIPS x DIPS	2.21	6.51	0.44	2.86	09-MJA-3701112
6" DIPS x 6" DIPS	6.90 x 6.90	DIPS x DIPS	2.38	7.23	0.63	5.94	09-MJA-3701113
8" DIPS x 8" DIPS	9.05 x 9.05	DIPS x DIPS	2.38	7.66	0.82	10.34	09-MJA-3701114
10" DIPS x 10" DIPS	11.10 x 11.10	DIPS x DIPS	2.25	9.03	1.00	17.80	09-MJA-3701115
12" DIPS x 12" DIPS	13.20 x 13.20	DIPS x DIPS	1.73	8.52	1.20	24.20	09-MJA-3701116
14" DIPS x 14" DIPS	15.30 x 15.30	DIPS x DIPS	1.73	7.39	1.39	27.50	09-MJA-3701117*
16" DIPS x 16" DIPS	17.40 x 17.40	DIPS x DIPS	1.73	7.40	1.58	37.84	09-MJA-3701118*
18" DIPS x 18" DIPS	19.45 x 19.41	DIPS x DIPS	1.73	8.33	1.77	TBA	09-MJA-3701119*
20" DIPS x 20" DIPS	21.59 x 21.51	DIPS x DIPS	1.73	8.33	1.96	TBA	09-MJA-3701121*
24" DIPS x 24" DIPS	25.74 x 25.68	DIPS x DIPS	2.36	8.33	2.34	TBA	09-MJA-3701122*

C110 MJ Adapter Accessory Set



Nominal Size	Holes (no.)	Bolts & Nuts Size	Torque	Part Number
4"	4	3/4 x3 - 1/2	75-90	09-MJA-3705104
6"	6	3/4 x3 - 1/2	75-90	09-MJA-3705102
8"	6	3/4 x4	75-90	09-MJA-3705103
10"	8	3/4 x4	75-90	09-MJA-3705105
12"	8	3/4 x4	75-90	09-MJA-3705110
14"	10	3/4 x4 - 1/2	75-90	09-MJA-3705111
16"	12	3/4 x4 - 1/2	75-90	09-MJA-3705112
18"	12	3/4 x4 - 1/2	75-90	09-MJA-3705109
20"	14	3/4 x4 - 1/2	75-90	09-MJA-3705115
24"	16	3/4 x5	75-90	09-MJA-3705113

C153 MJ Adapter Accessory Set



Nominal Size	Holes (no.)	Bolts & Nuts Size	Torque	Part Number
2"	TBA	TBA	TBA	09-MJA-3705000
3"	4	3/4 x3 - 1/2	75-90	09-MJA-3705001
4"	4	3/4 x3 - 1/2	75-90	09-MJA-3705002
6"	6	3/4 x3 - 1/2	75-90	09-MJA-3705003
8"	6	3/4 x4	75-90	09-MJA-3705004
10"	8	3/4 x4	75-90	09-MJA-3705005
12"	8	3/4 x4	75-90	09-MJA-3705006
14"	10	3/4 x4 - 1/2	75-90	09-MJA-3705007
16"	12	3/4 x4 - 1/2	75-90	09-MJA-3705008
18"	12	3/4 x4 - 1/2	75-90	09-MJA-3705009
20"	14	3/4 x4 - 1/2	75-90	09-MJA-3705010
24"	16	3/4 x5	75-90	09-MJA-3705015

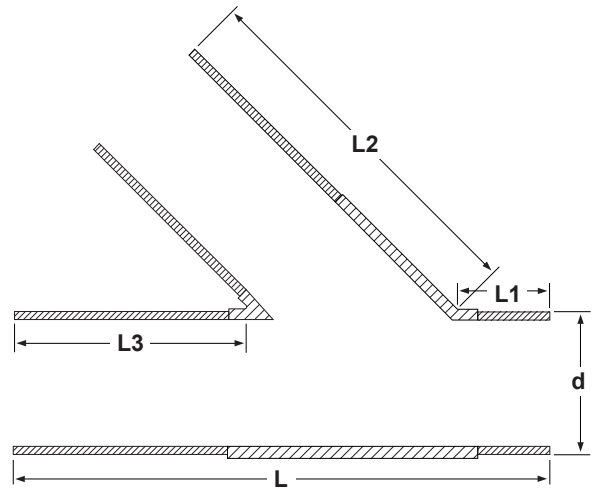
SDR 11 LATERAL WYES

Water - 200 PSI at 73° F Sustainable Maximum Operating Pressure

- Suitable for Water, Fluids & Slurries
- Engineered for PE100, PE80, PE4710, PE3408 HDPE Pipe Systems



Manufactured in accordance with: ASTM D3350-21, ASTM D3261-16, ASTM D2513-20, AWWA C906-15, NSF/ANSI/CAN 61-2022, and ISO-9001 Certified



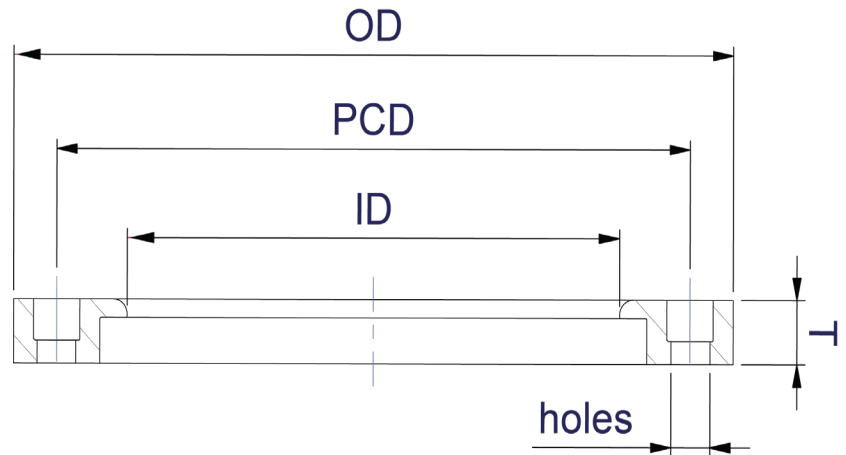
Nominal Size	Actual Size (d)	L1	L2	L3	(L)	Weight (lbs.)	Part Number
2"	2.38	6.14	12.87	11.97	22.40	2.20	04-BWY-2604001
3"	3.50	6.69	14.33	10.79	22.99	4.60	04-BWY-2604002
4"	4.50	6.18	17.13	13.15	26.50	8.60	04-BWY-2604003
6"	6.63	6.89	25.39	18.66	35.71	25.80	04-BWY-2604004
8"	8.63	7.64	27.64	18.15	38.78	47.00	04-BWY-2604005
10"	10.75	8.35	30.43	19.02	43.31	80.90	04-BWY-2604006
12"	12.75	8.35	32.84	18.90	47.24	119.90	04-BWY-2604007

BACK-UP RINGS

- Epoxy coated ductile iron
- ANSI/ASA CLASS 150# bolt pattern
- Engineered for HDPE Pipe Systems



The full range meets international and domestic standards, including ASTM, AWWA, and NSF.



Nominal Size	SDR	Norm	ANSI 150# Hole Pattern	OD	ID	PCD	(T)	Holes	No. of Holes	FM	Part Number
2"	7	IPS	2"	6	2.46	4.75	0.75	0.750	4	290 PSI	09-BUR-3205200
3"	7	IPS	3"	8	3.60	6.00	0.94	0.750	4	290 PSI	09-BUR-3205208
4"	7	IPS	4"	9	4.60	7.50	0.94	0.750	8	290 PSI	09-BUR-3205225
6"	7	IPS	6"	11	6.75	9.50	1.00	0.875	8	290 PSI	09-BUR-3205243
8"	7	IPS	8"	14	8.75	11.75	1.13	0.875	8	290 PSI	09-BUR-3205261
10"	7	IPS	10"	16	10.92	14.25	1.19	1.000	12	290 PSI	09-BUR-3205279
12"	7	IPS	12"	19	12.92	17.00	1.40	1.000	12	290 PSI	09-BUR-3205297
14"	7	IPS	14"	21	14.18	18.75	1.63	1.125	12	290 PSI	09-BUR-3205306
4"	7	DIPS	4"	9	4.90	7.50	0.94	0.750	8	290 PSI	09-BUR-3205218
6"	7	DIPS	6"	11	7.00	9.50	1.00	0.875	8	290 PSI	09-BUR-3205234
8"	7	DIPS	8"	14	9.13	11.75	1.13	0.875	8	290 PSI	09-BUR-3205252
10"	7	DIPS	10"	16	11.25	14.25	1.19	1.000	12	290 PSI	09-BUR-3205270
12"	7	DIPS	12"	19	13.37	17.00	1.40	1.000	12	290 PSI	09-BUR-3205288
4"	11	IPS	4"	9	4.75	7.50	0.58	0.750	8	200 PSI	09-BUR-3205226
6"	11	IPS	6"	11	6.88	9.50	0.63	0.875	8	200 PSI	09-BUR-3205244
8"	11	IPS	8"	14	8.88	11.75	0.88	0.875	8	200 PSI	09-BUR-3205262
10"	11	IPS	10"	16	11.00	14.25	1.00	1.000	12	200 PSI	09-BUR-3205280
12"	11	IPS	12"	19	13.13	17.00	1.25	1.000	12	200 PSI	09-BUR-3205298
4"	11	DIPS	4"	9	4.90	7.50	0.58	0.750	8	200 PSI	09-BUR-3205217
6"	11	DIPS	6"	11	7.00	9.50	0.63	0.875	8	200 PSI	09-BUR-3205235
8"	11	DIPS	8"	14	9.13	11.75	0.88	0.875	8	200 PSI	09-BUR-3205253
10"	11	DIPS	10"	16	11.25	14.25	1.00	1.000	12	200 PSI	09-BUR-3205271
12"	11	DIPS	12"	19	13.37	17.00	1.25	1.000	12	200 PSI	09-BUR-3205289

STANDARDS & CERTS REFERENCE CHART

ASTM - AWWA - NSF - ISO

Logo	Standard Number	Standard Title	Link to Website
	ASTM D2513-20	Standard Specification for Polyethylene (PE) Gas Pressure Pipe, Tubing, and Fittings	https://www.astm.org/d2513-20.html
	ASTM D-3035-22	Standard Specification for Polyethylene (PE) Plastic Pipe (DR-PR) Based on Controlled Outside Diameter	https://www.astm.org/d3035-22.html
	ASTM D-3261-16	Standard Specification for Butt Heat Fusion Polyethylene (PE) Plastic Fittings for Polyethylene (PE) Plastic Pipe and Tubing	https://www.astm.org/d3261-16.html
	ASTM D-3350-21	Standard Specification for Polyethylene Plastics Pipe and Fittings Materials	https://www.astm.org/d3350-21.html
	AWWA C901-20	Polyethylene (PE) Pressure Pipe and Tubing, 1/2 in. (13 mm) Through 3 in. (76 mm), for Water Service	https://engage.awwa.org/PersonifyEbusiness/Bookstore/Product-Details/productId/86488411
	AWWA C906-15	Polyethylene (PE) Pressure Pipe and Fittings, 4 in. Through 65 in. (100 mm Through 1,650 mm), for Waterworks	https://engage.awwa.org/PersonifyEbusiness/Bookstore/Product-Details/productId/29417
	NSF/ANSI/CAN 61-2022	NSF/ANSI 61 - Drinking Water System Components - Health Effects	https://webstore.ansi.org/standards/nsf/nsfansi6120226002021?source=blog&_gl=1*28bcov*_gcl_au*MTY4MjI1NjQwMy4xNjkxMTY4NjA2
	ISO-9001 Certified	International Organization for Standardization - Quality Management Systems - Requirements	https://knowledge.bsigroup.com/products/quality-management-systems-requirements-1/tracked-changes

To learn more about how Strongbridge can help, contact us by phone, email or visit our website to check out our products and services.

STRONGBRIDGE



Strongbridge International LLC
Jacksonville, FL
T: (904) 278-7499
E: contact@strongbridge.us

www.strongbridge.us

Strongbridge International LLC is not responsible for error or omissions in the content of this document. The information in this document is for reference purposes only and is not to be relied upon or substitute engineering documentation. All information is provided "as is", with no guarantee of completeness or accuracy and is subject to change without notice.